

--

Date:
Client:
Project:



PSB Singapore

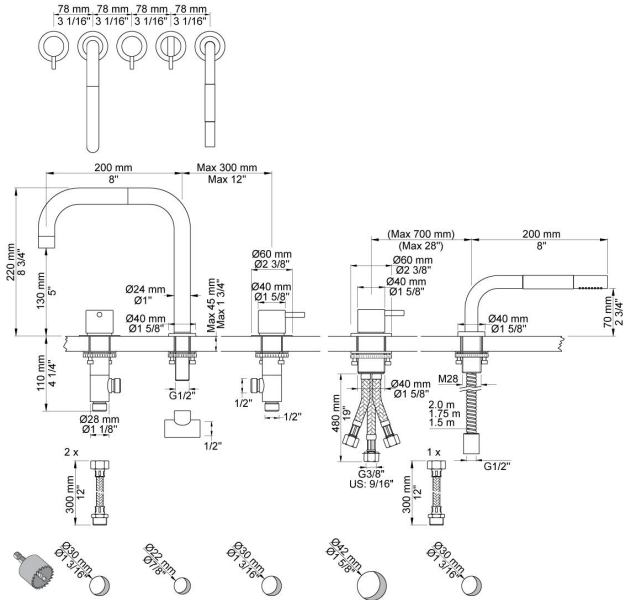


SC11

Two-handle mixer S50DH + S50D with double swivel spout 090D, one-handle mixer with hand shower 500T1.

Flow

	Bar:	1.0	2.0	3.0	4.0	5.0
090D	(l/min)	15.0	21.2	26.0	30.0	30.0
T1	(l/min)	5.8	8.2	10.0	11.6	12.9

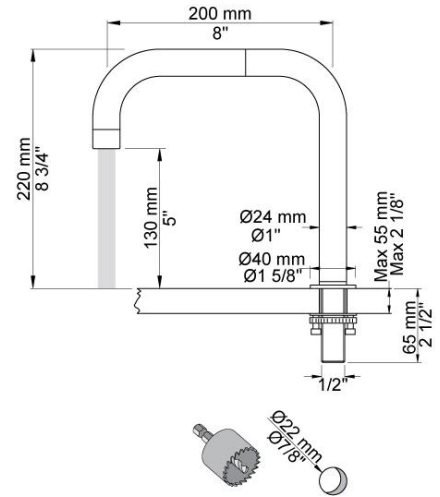


Available in colors

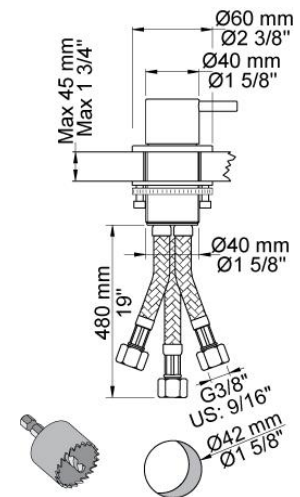
	Color 20, Brushed chrome
Color 02, Grey	Color 21, Carmine red
Color 04, Light blue	Color 25, Pink
Color 05, Orange	Color 27, Matt black
Color 06, Light green	Color 28, Matt white
Color 08, Yellow	Color 40, Brushed stainless steel
Color 09, Dark grey	Color 60, Black
Color 12, Mocca	Color 61, Brushed black
Color 14, Bright red	Color 63, Copper
Color 15, Dark blue	Color 64, Brushed Copper
Color 16, Polished chrome	Color 65, Gold
Color 17, Gloss black	Color 68, Silver
Color 18, White	Color 70, Brushed Gold
Color 19, Natural brass	



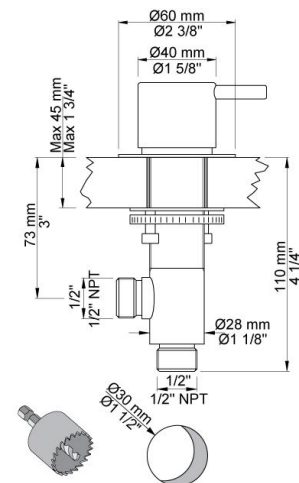
090D
Double swivel spout. Height 220 mm. Hole cut out size: 22 mm.



500
One-handle table-mounted mixer.
Pipe size: 3/8"



S50
Stop valve with 1/4 turn ceramic disc technology. Includes non-return valve and 1/2" inlet/outlet. 60 mm circular flange 001G. Hole cut out size: 30 mm.





T1
Deck mounted pull out hand shower, with hose. Work top: Max. 45 mm. Hole cut out size: 30 mm.

