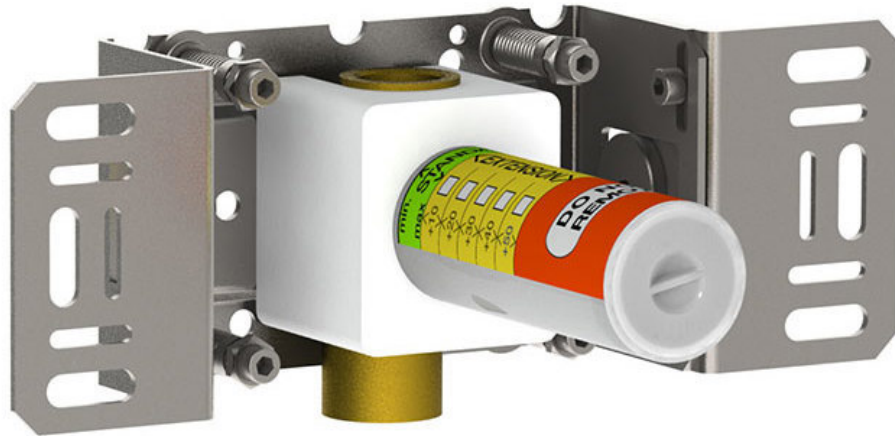


--

Date:
Client:
Project:

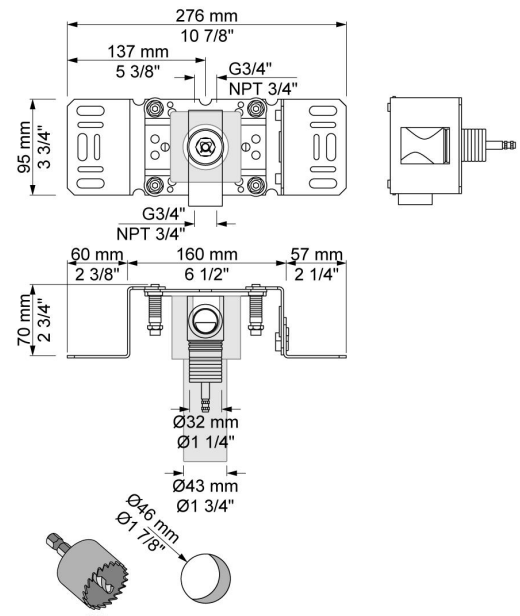


S21V

Build-in stop valve, 3/4". 3/4" connection to copper, steel, iron or pex pipe work.

Flow

	Bar:	1.0	2.0	3.0	4.0	5.0
S21V	(l/min)	28.9	40.8	50.0	57.7	64.5



Available in colors