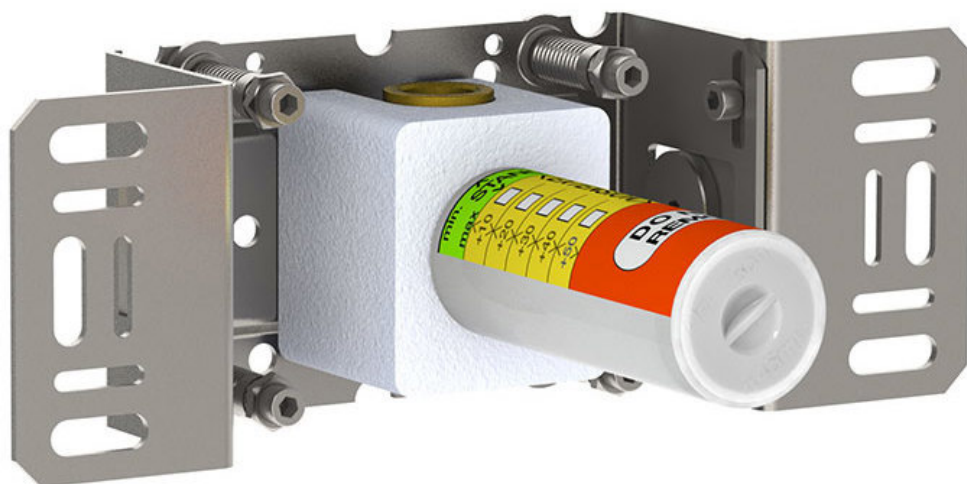


--

Date:
Client:
Project:

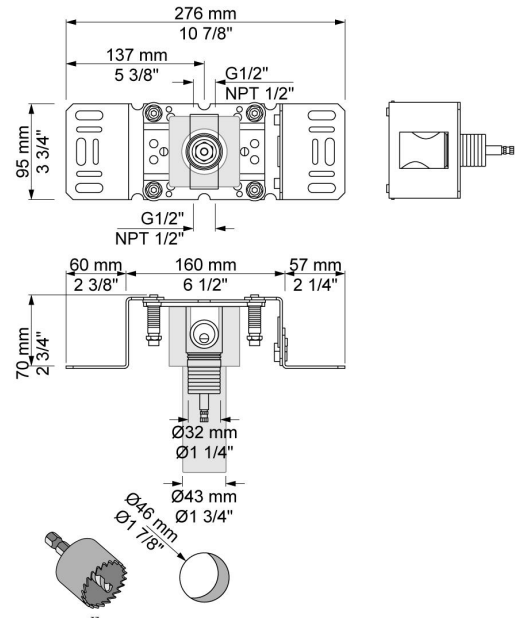


**S20V**

Build-in stop valve, 1/2". 1/2" connection to copper, steel, iron or pex pipe work.

**Flow**

	<b>Bar:</b>	<b>1.0</b>	<b>2.0</b>	<b>3.0</b>	<b>4.0</b>	<b>5.0</b>
S20V	(l/min)	20.2	28.6	35.0	40.4	45.2



**Available in colors**