

--

Date:
Client:
Project:

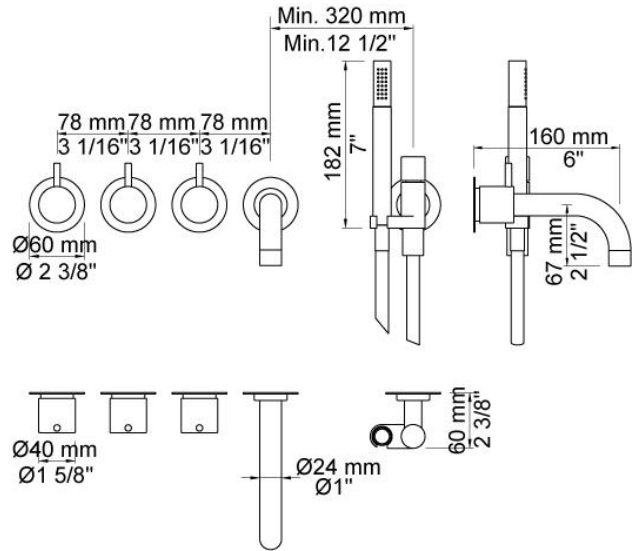


811C-071

Two-handle build-in mixer with ¼ turn ceramic disc technology and diverter. 811C-071UP = Build-in mixer 800N. 811C-071AP = 2 pcs. handle NR17, handle NR19G, 160 mm fixed spout 010C, hand shower and hand shower holder with non-return valve 070, 2 pcs. 60 mm circular flanges 001, 3 pcs. 60 mm circular flanges 001G.

Flow

	Bar:	1.0	2.0	3.0	4.0	5.0
010C	(l/min)	12.1	17.1	21.0	24.2	27.1
070	(l/min)	5.2	7.3	9.0	9.0	9.0



Available in colors

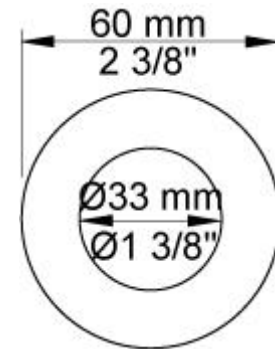
	Color 20, Brushed chrome
Color 02, Grey	Color 21, Carmine red
Color 04, Light blue	Color 25, Pink
Color 05, Orange	Color 27, Matt black
Color 06, Light green	Color 28, Matt white
Color 08, Yellow	Color 40, Brushed stainless steel
Color 09, Dark grey	Color 60, Black
Color 12, Mocca	Color 61, Brushed black
Color 14, Bright red	Color 63, Copper
Color 15, Dark blue	Color 64, Brushed Copper
Color 16, Polished chrome	Color 65, Gold
Color 17, Gloss black	Color 68, Silver
Color 18, White	Color 70, Brushed Gold
Color 19, Natural brass	



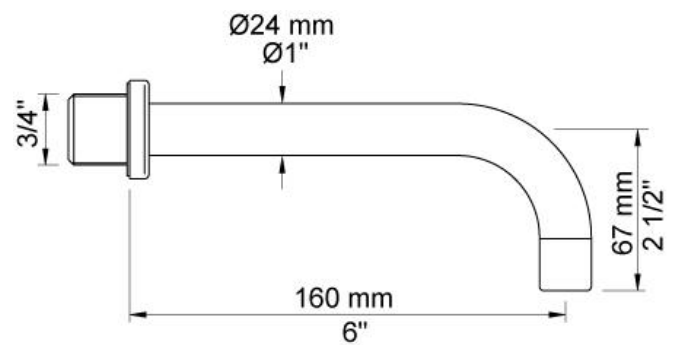
001
60 mm circular flange. Hole Ø30 mm.



001G
60 mm circular flange. Hole Ø33 mm.

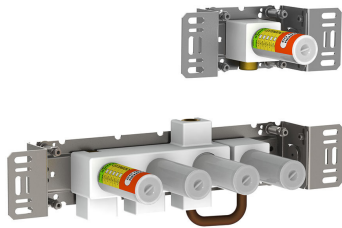
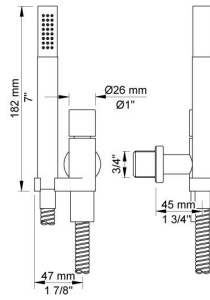


010C
160 mm fixed spout for high flow.

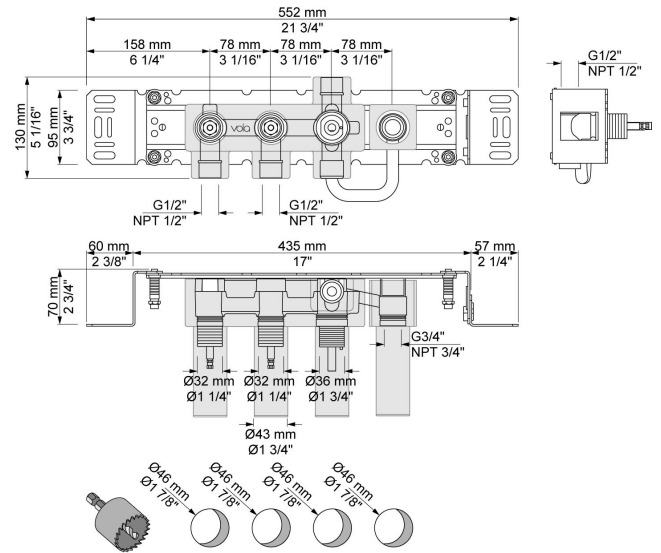




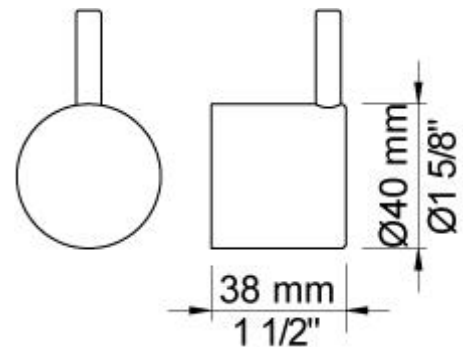
070
Hand shower, hand shower holder and hose with non-return valve.



800N
Two-handle build-in mixer with diverter, including one fixed and one separate outlet socket, 200M. 1/2" connection to copper, steel, iron or pex pipe work.



NR17
Operating handle for 600, 700, 800, 900, 1500, 2800, 2900, S20, S21, S40, S42 incl. variants. Ø40 mm.



**NR19G**

Diverter handle for 400 and 800 incl. variants. Ø40 mm. With peg in the same colour as handle(standard).

