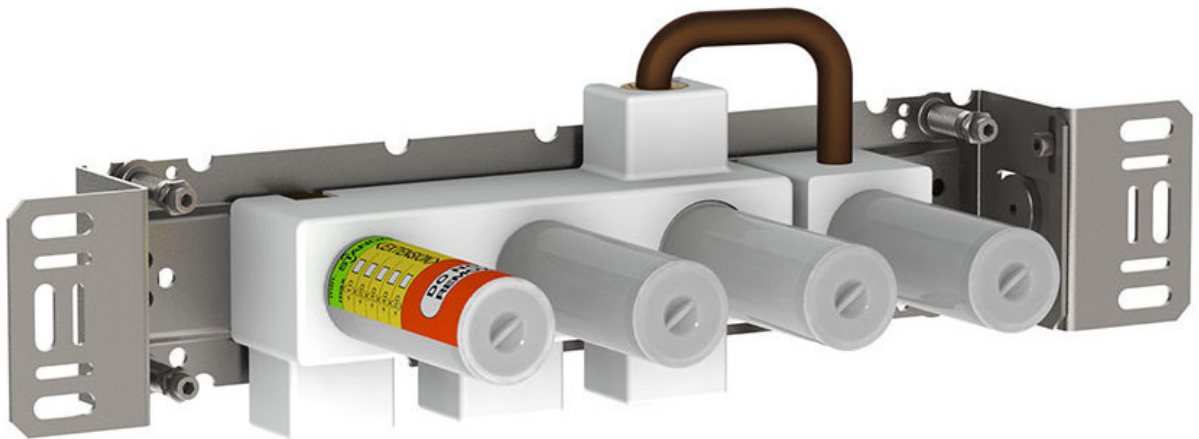


--

Date:
Client:
Project:

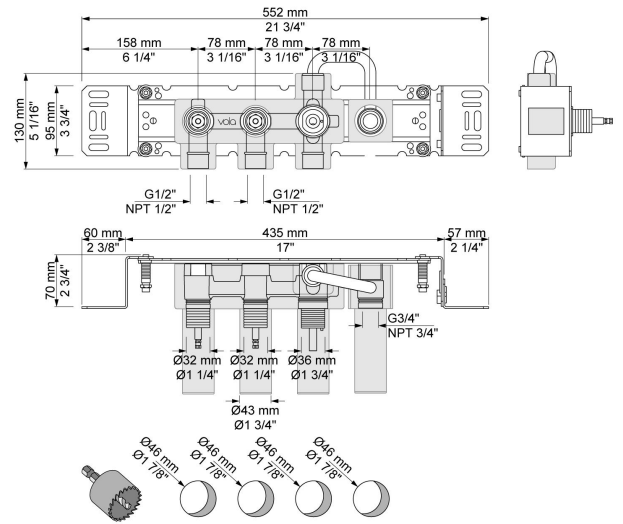


**800T**

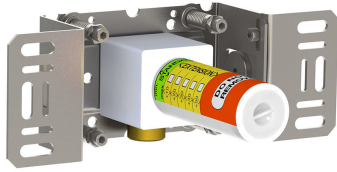
Two-handle build-in mixer with diverter, including one fixed and one separate outlet socket, 200M.½" connection to copper, steel, iron or pex pipe work.

**Flow**

	<b>Bar:</b>	<b>1.0</b>	<b>2.0</b>	<b>3.0</b>	<b>4.0</b>	<b>5.0</b>
800T	(l/min)	19.6	27.8	34.0	39.3	43.9



**Available in colors**



**200M**

Separate outlet socket.  
 1/2" connection to copper, steel, iron or pex pipe work.

