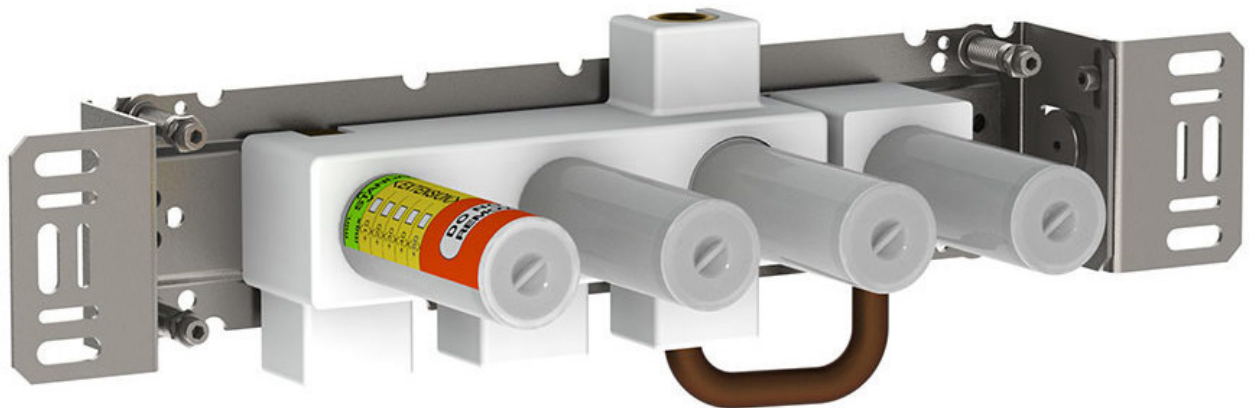
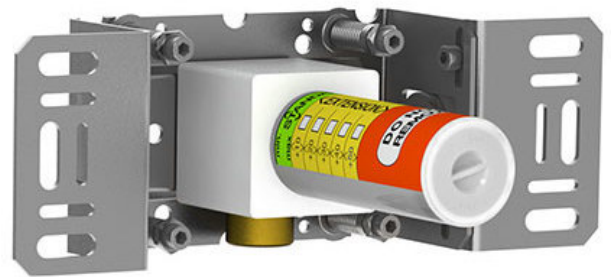


--

Date:
Client:
Project:

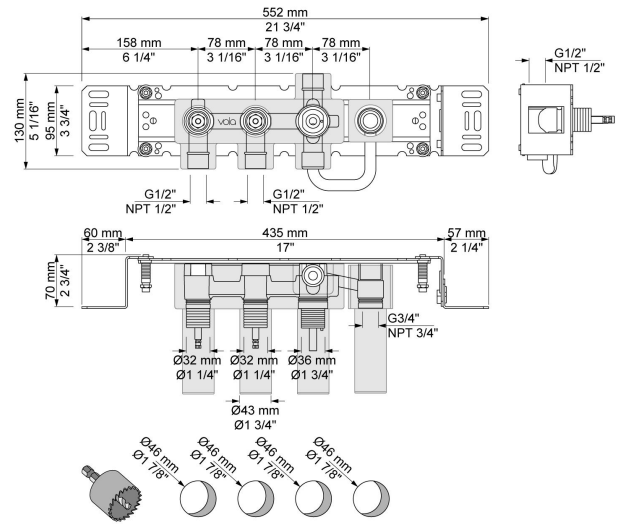


800N

Two-handle build-in mixer with diverter, including one fixed and one separate outlet socket, 200M. 1/2" connection to copper, steel, iron or pex pipe work.

Flow

	Bar:	1.0	2.0	3.0	4.0	5.0
800N	(l/min)	19.6	27.8	34.0	39.3	43.9



Available in colors



200M

Separate outlet socket.
 1/2" connection to copper, steel, iron or pex pipe work.

