

--

Date:
Client:
Project:

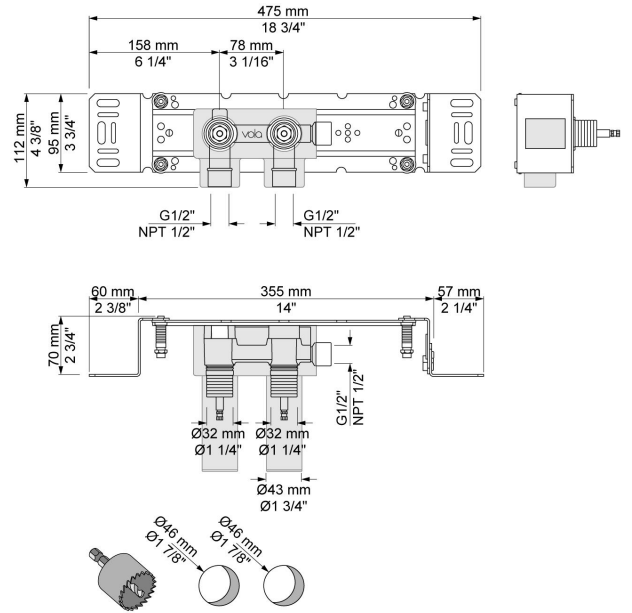


700

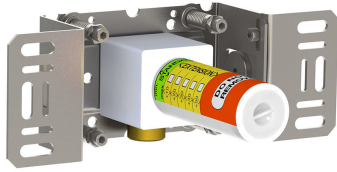
Two-handle build-in mixer, including separate outlet socket, 200M. 1/2" connection to copper, steel, iron or pex pipe work.

Flow

	Bar:	1.0	2.0	3.0	4.0	5.0
700	(l/min)	34.6	49.0	60.0	69.3	77.5



Available in colors



200M

Separate outlet socket.
 1/2" connection to copper, steel, iron or pex pipe work.

