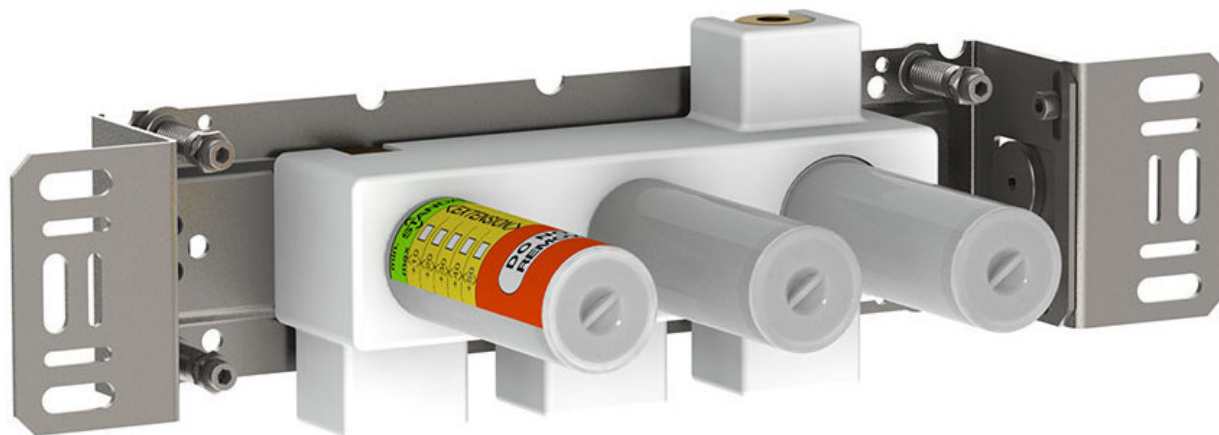


--

Date:
Client:
Project:

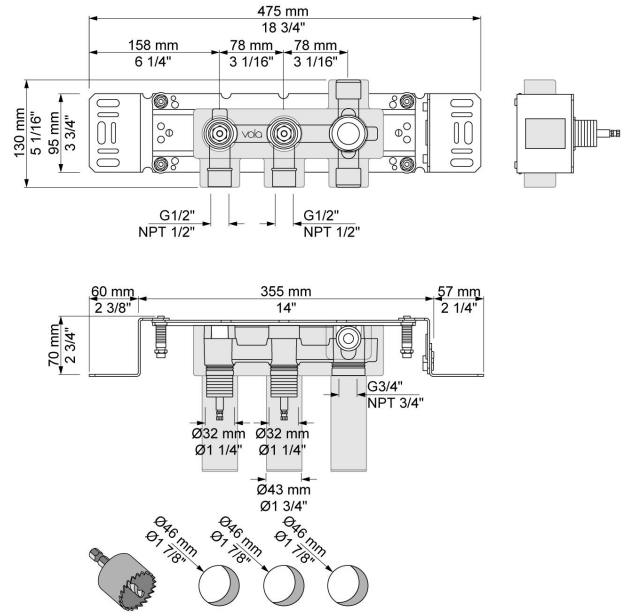


600

Two-handle build-in mixer, with fixed outlet socket. ½" connection to copper, steel, iron or pex pipe work.

Flow

	Bar:	1.0	2.0	3.0	4.0	5.0
600	(l/min)	34.6	49.0	60.0	69.3	77.5



Available in colors