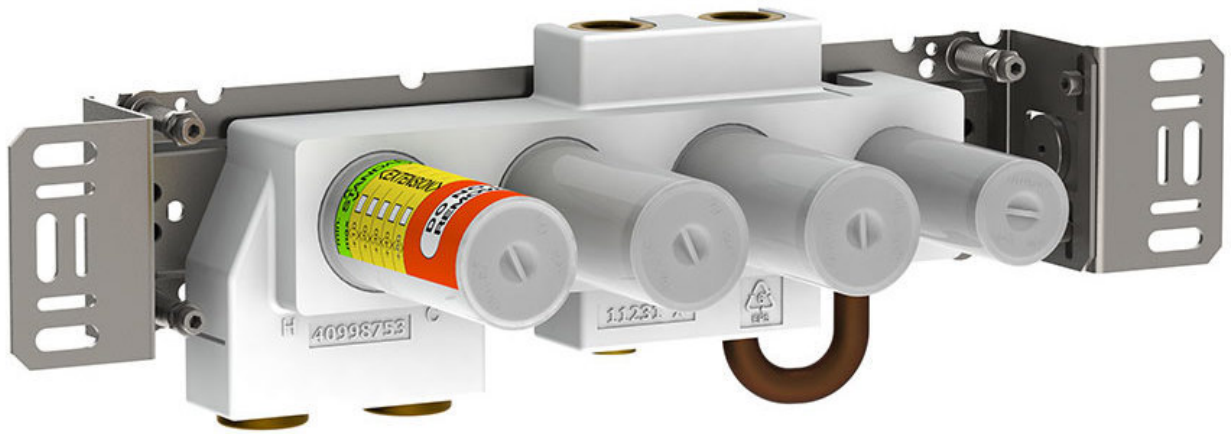


--

Date:
Client:
Project:

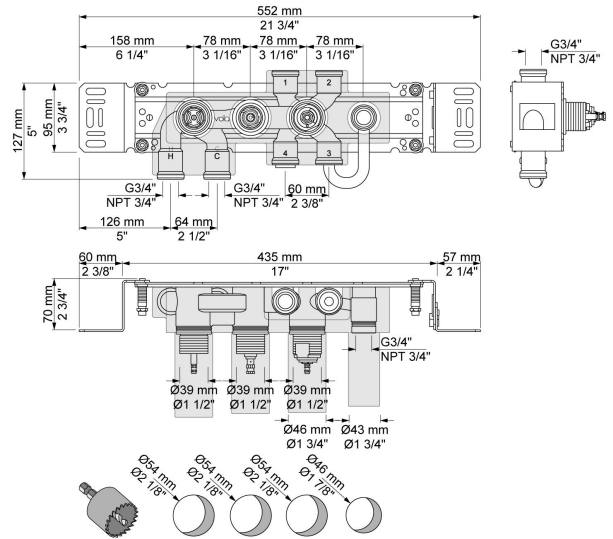


**5400NVA3**

Thermostatic mixer with 3-way diverter, one fixed outlet socket. 3/4" connection to copper, steel, iron or pex pipe work.

**Flow**

	<b>Bar:</b>	<b>1.0</b>	<b>2.0</b>	<b>3.0</b>	<b>4.0</b>	<b>5.0</b>
Outlet 1	(l/min)	18.5	26.1	32.0	37.0	41.3
Outlet 2	(l/min)	18.5	26.1	32.0	37.0	41.3
Outlet 3	(l/min)	18.5	26.1	32.0	37.0	41.3
Cal Outlet 1	(l/min)	4.0	5.7	7.0	7.0	7.0
Cal Outlet 2	(l/min)	4.0	5.7	7.0	7.0	7.0
Cal Outlet 3	(l/min)	4.0	5.7	7.0	7.0	7.0



**Available in colors**