

--

Date:
Client:
Project:

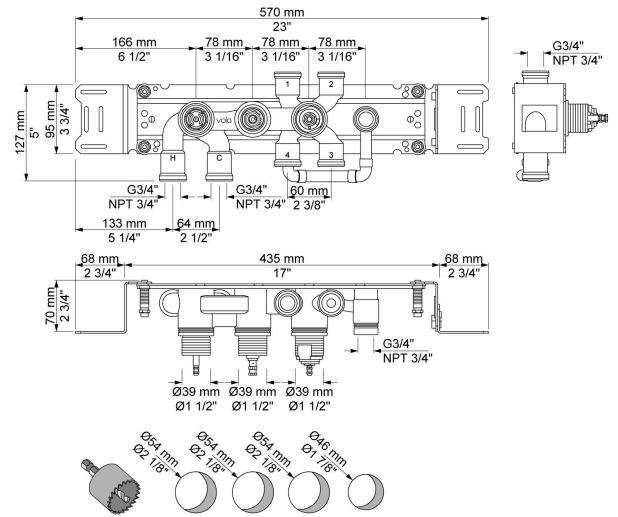


5400NA4

Thermostatic mixer with 4-way diverter, one premounted outlet socket and 3 separate outlet sockets, 200M. 3/4" connection to copper, steel, iron or pex pipe Work.

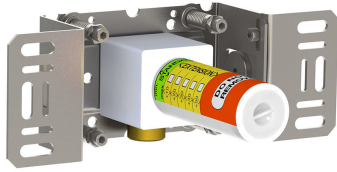
Flow

	Bar:	1.0	2.0	3.0	4.0	5.0
Outlet 1	(l/min)	18.5	26.1	32.0	37.0	41.3
Outlet 2	(l/min)	18.5	26.1	32.0	37.0	41.3
Outlet 3	(l/min)	18.5	26.1	32.0	37.0	41.3
Outlet 4	(l/min)	18.5	26.1	32.0	37.0	41.3
Cal Outlet 1	(l/min)	4.0	5.7	7.0	7.0	7.0
Cal Outlet 2	(l/min)	4.0	5.7	7.0	7.0	7.0
Cal Outlet 3	(l/min)	4.0	5.7	7.0	7.0	7.0
Cal Outlet 4	(l/min)	4.0	5.7	7.0 </td <td>7.0</td> <td>7.0</td>	7.0	7.0



Available in colors

	Color 64, Brushed Copper
Color 60, Black	Color 65, Gold
Color 61, Brushed black	Color 68, Silver
Color 63, Copper	Color 70, Brushed Gold



200M

Separate outlet socket.
 1/2" connection to copper, steel, iron or pex pipe work.

