

--

Date:
Client:
Project:

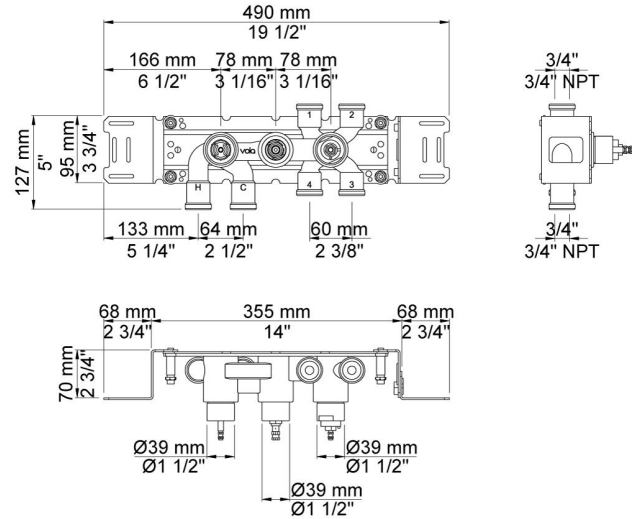


**5400A4**

Thermostatic mixer with 4-way diverter including 4 separate outlet sockets, 200M.¾" connection to copper, steel, iron or pex pipe Work.

**Flow**

	<b>Bar:</b>	<b>1.0</b>	<b>2.0</b>	<b>3.0</b>	<b>4.0</b>	<b>5.0</b>
Outlet 1	(l/min)	18.5	26.1	32.0	37.0	41.3
Outlet 2	(l/min)	18.5	26.1	32.0	37.0	41.3
Outlet 3	(l/min)	18.5	26.1	32.0	37.0	41.3
Outlet 4	(l/min)	18.5	26.1	32.0	37.0	41.3
Cal Outlet 1	(l/min)	4.4	6.2	7.6	7.6	7.6
Cal Outlet 2	(l/min)	4.4	6.2	7.6	7.6	7.6
Cal Outlet 3	(l/min)	4.4	6.2	7.6	7.6	7.6
Cal Outlet 4	(l/min)	4.4	6.2	7.6	7.6	7.6



**Available in colors**



**200M**

Separate outlet socket.  
 1/2" connection to copper, steel, iron or pex pipe work.

