

--

Date:
Client:
Project:



**5200V**

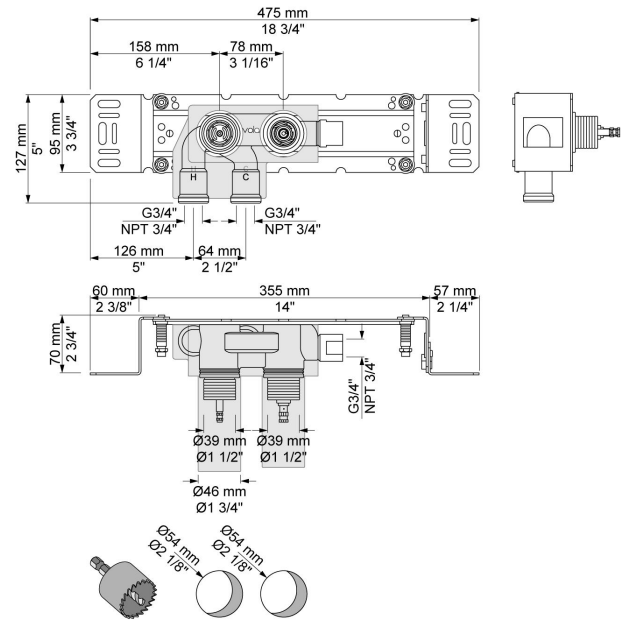
Thermostatic mixer without outlet socket. 3/4" connection to copper, steel, iron or pex pipe work.

**Flow**

	Bar:	1.0	2.0	3.0	4.0	5.0
5200V <sup>1)</sup>	(l/min)	20.2	28.6	35.0	40.4	45.2
5200V <sup>2)</sup>	(l/min)	24.8	35.1	43.0	49.6	55.5

<sup>1)</sup> Standard (VR5277LK)

<sup>2)</sup> Option (VR5277K)



**Available in colors**