

--

Date:
Client:
Project:



4822

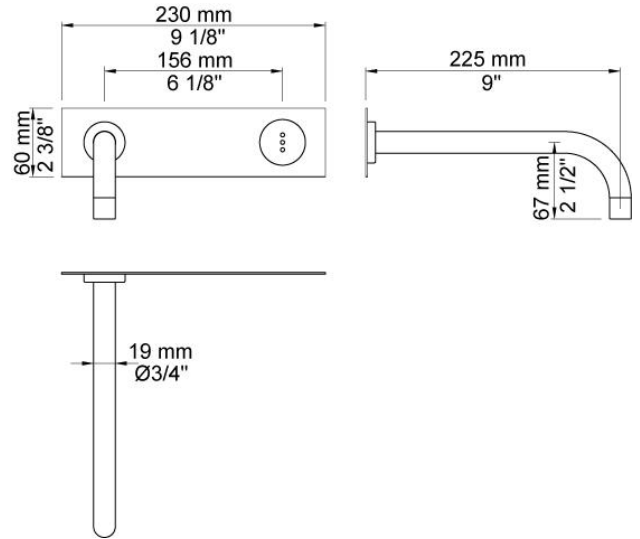
Build-in basin tap with on-off sensor for 'hands free' operation. Sensor aligned with wall. Valve box VR2617 included. 4822UP = Valve 4800, sensor cable VR509. 4822AP = 225 mm spout 020, sensor VR510, cover plate 60 x 231 mm 4002L.

Ada approved.

Flow

	Bar:	1.0	2.0	3.0	4.0	5.0
4822	(l/min)	2.9	4.1	5.0	5.0	5.0
4822 ¹⁾	(l/min)	2.6	3.7	4.5	4.5	4.5

¹⁾ USA Standard

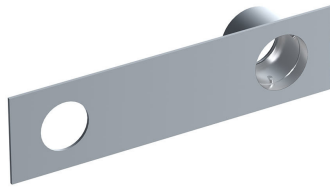
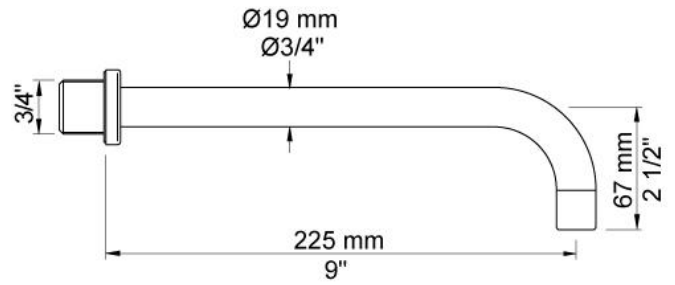


Available in colors

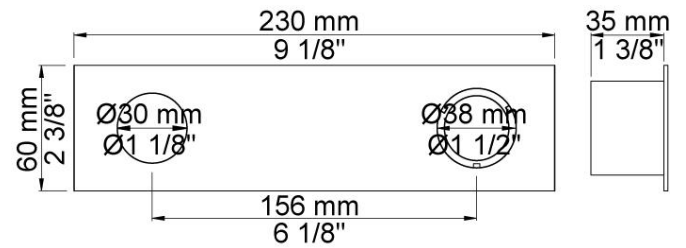
	Color 20, Brushed chrome
Color 02, Grey	Color 21, Carmine red
Color 04, Light blue	Color 25, Pink
Color 05, Orange	Color 27, Matt black
Color 06, Light green	Color 28, Matt white
Color 08, Yellow	Color 40, Brushed stainless steel
Color 09, Dark grey	Color 60, Black
Color 12, Mocca	Color 61, Brushed black
Color 14, Bright red	Color 63, Copper
Color 15, Dark blue	Color 64, Brushed Copper
Color 16, Polished chrome	Color 65, Gold
Color 17, Gloss black	Color 68, Silver
Color 18, White	Color 70, Brushed Gold
Color 19, Natural brass	



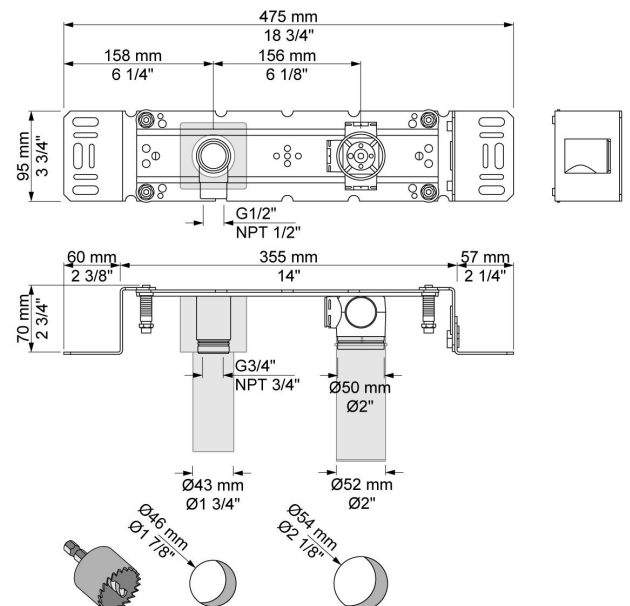
020
225 mm fixed spout with water saving aerator.



4002L
Two-hole plate 60 x 231 mm. Holes Ø30 mm and Ø38 mm for 4800.

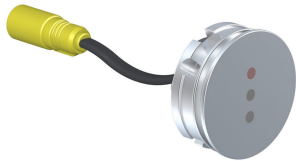
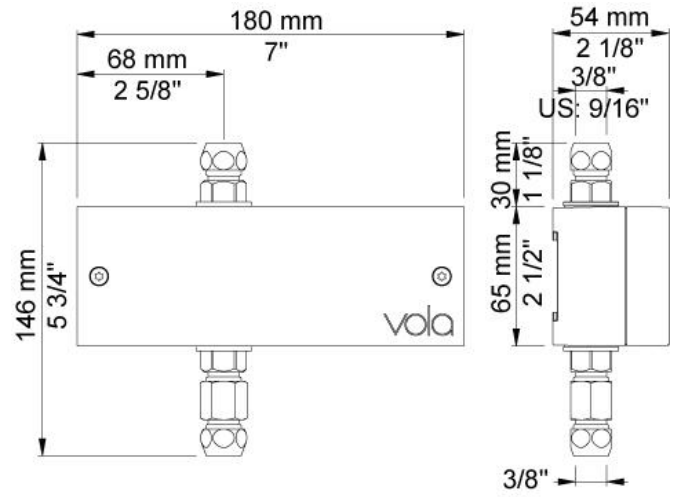


4800
Build-in valve with on-off sensor for 'hands free' operation. Valve box for electronic mixer, VR2617 included.





VR2617
Valve box.



VR510
Sensor for electronic tap 4300, 4800 and 4900.

