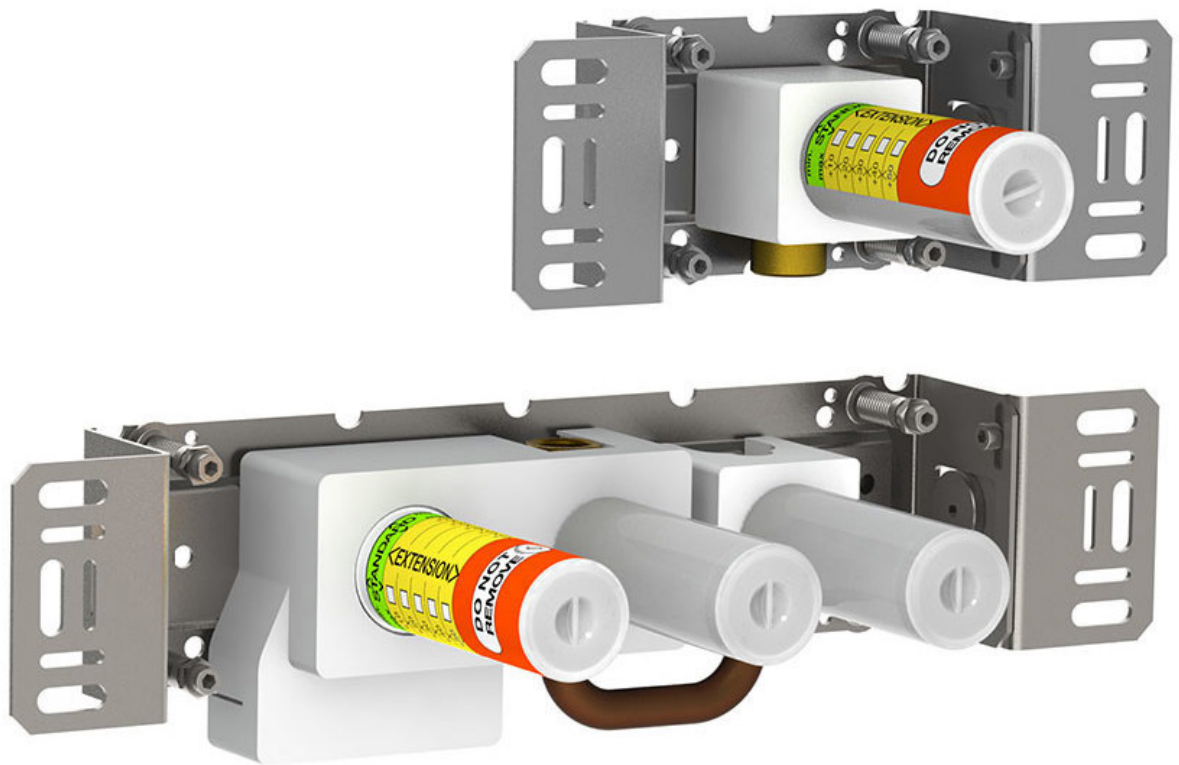


--

Date:
Client:
Project:

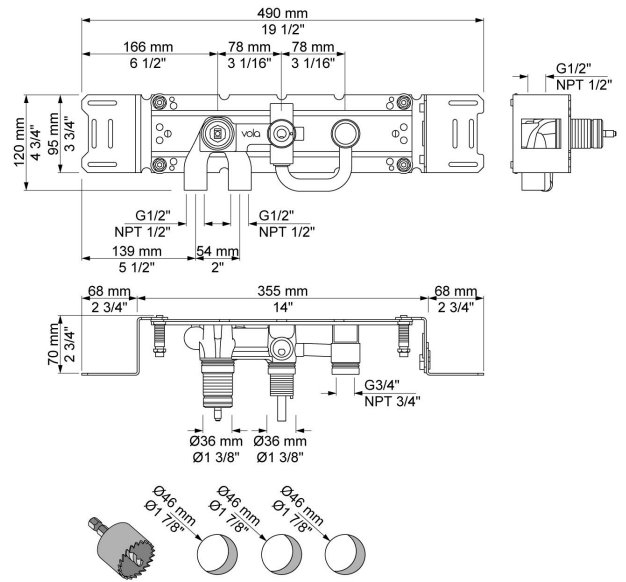


400N

One-handle build-in mixer with diverter, one premounted outlet socket and one separate outlet socket, 200M. 1/2" connection to copper, steel, iron or pex pipe work.

Flow

	Bar:	1.0	2.0	3.0	4.0	5.0
400N	(l/min)	8.7	12.2	15.0	17.3	19.4



Available in colors



200M

Separate outlet socket.
 1/2" connection to copper, steel, iron or pex pipe work.

