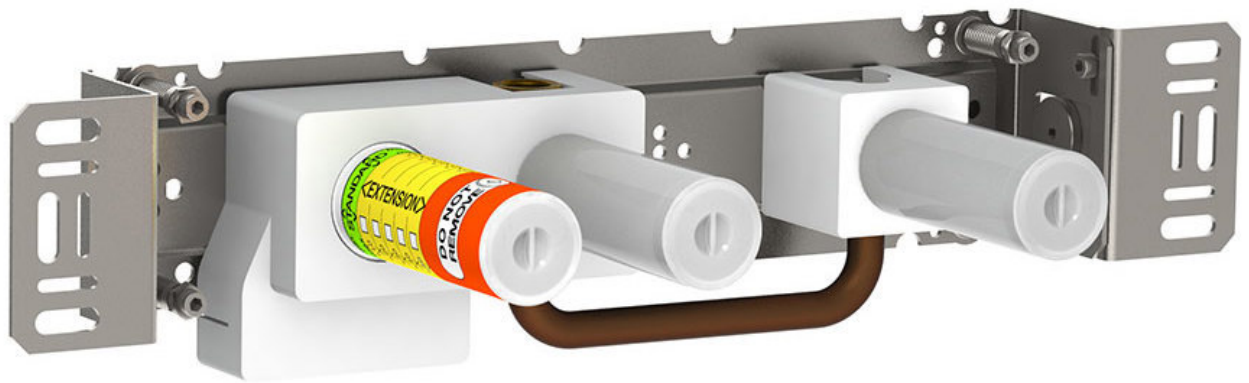


--

Date:
Client:
Project:

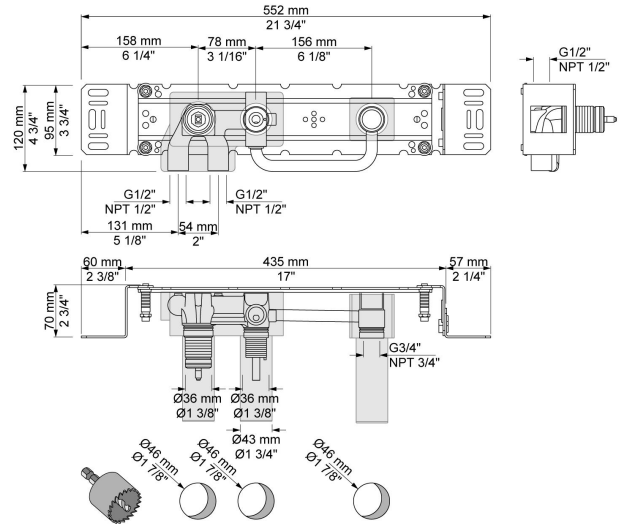


**400FV**

One-handle build-in mixer with diverter, one premounted outlet socket.  
 ½" connection to copper, steel, iron or pex pipe work.

**Flow**

	<b>Bar:</b>	<b>1.0</b>	<b>2.0</b>	<b>3.0</b>	<b>4.0</b>	<b>5.0</b>
400FV	(l/min)	8.7	12.2	15.0	17.3	19.4



**Available in colors**