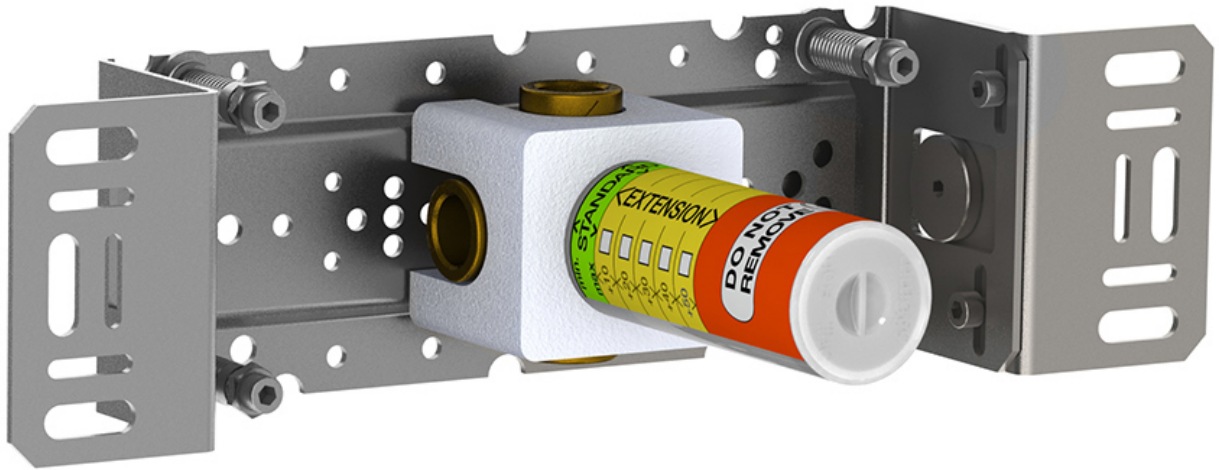


--

Date:
Client:
Project:

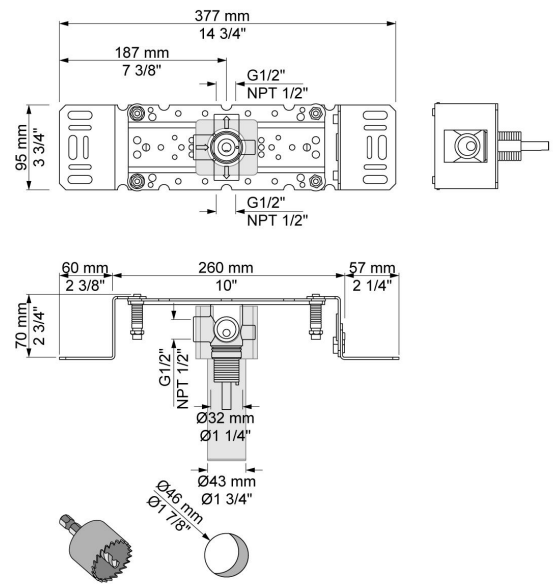


**400DV**

Separate diverter. 1/2" connection to copper, steel, iron or pex pipe work.

**Flow**

	Bar:	1.0	2.0	3.0	4.0	5.0
400DV	(l/min)	17.3	24.5	30.0	34.6	38.7



**Available in colors**