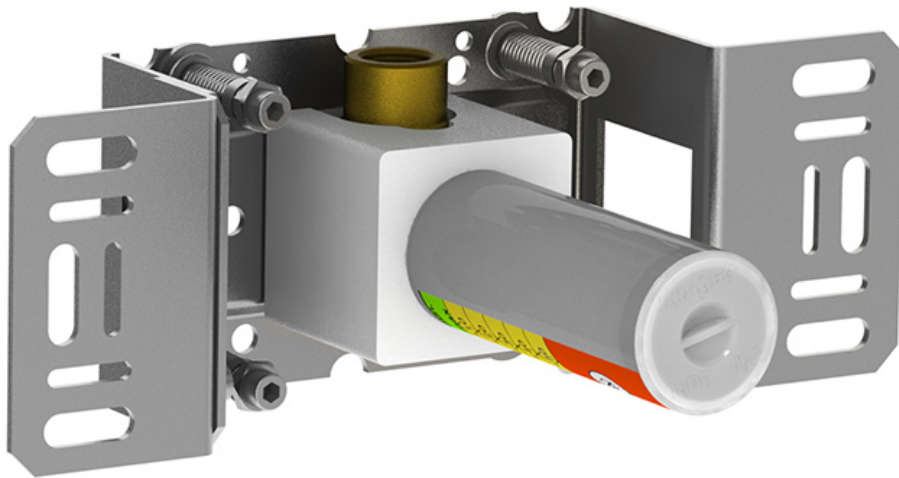
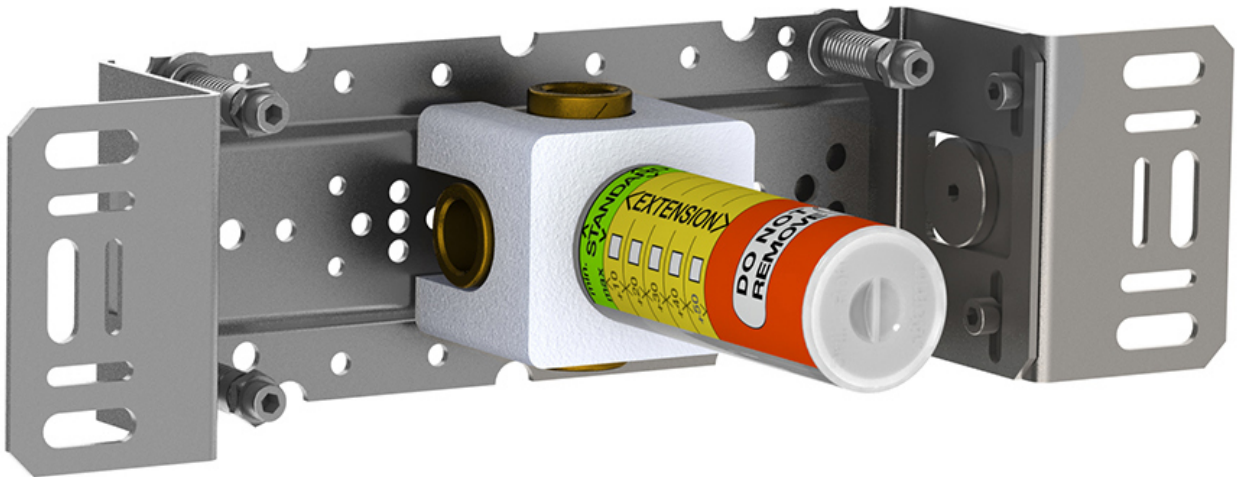
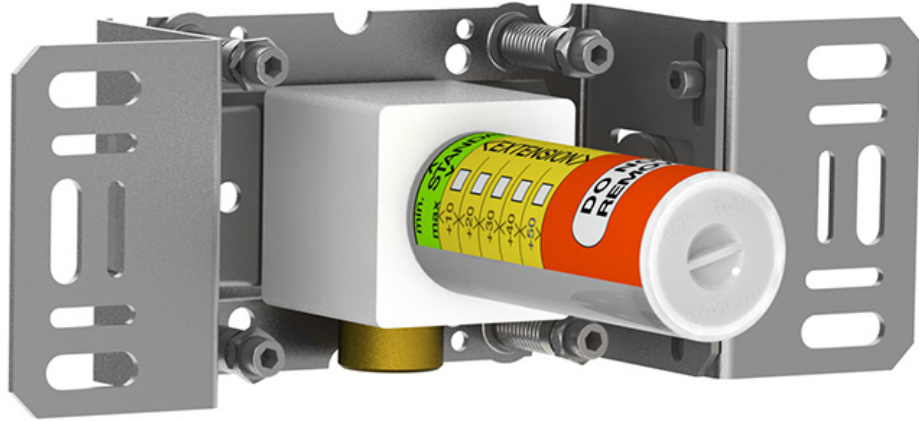


--

Date:
Client:
Project:

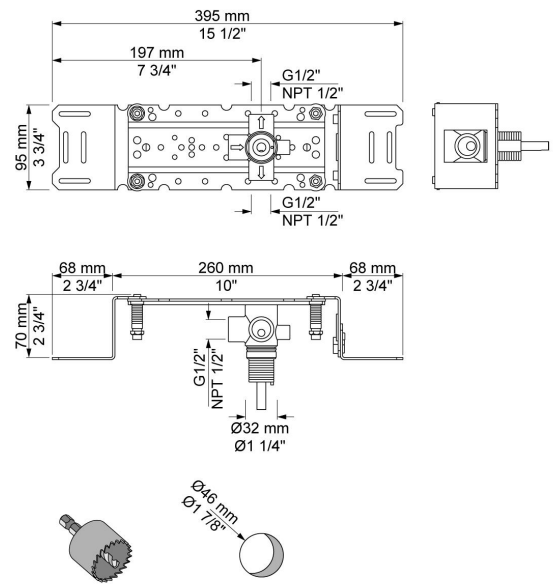


**400D**

Separate diverter. 1/2" connection to copper, steel, iron or pex pipe work.

**Flow**

	<b>Bar:</b>	<b>1.0</b>	<b>2.0</b>	<b>3.0</b>	<b>4.0</b>	<b>5.0</b>
400D	(l/min)	17.3	24.5	30.0	34.6	38.7



**Available in colors**