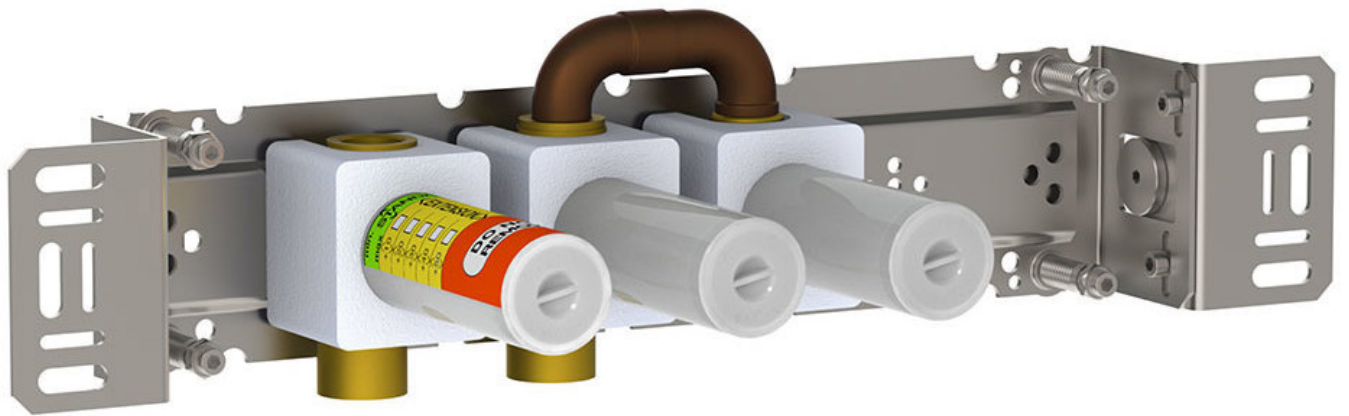


--

Date:
Client:
Project:



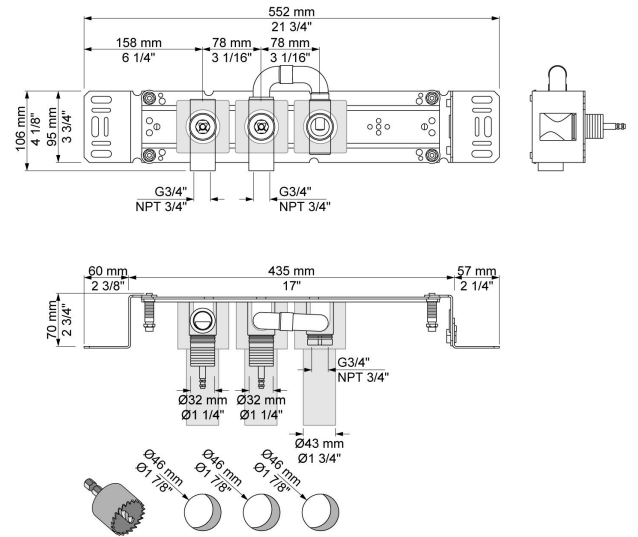
**2800V**

Stop valve and single valve with fixed outlet.

**Flow**

	Bar:	1.0	2.0	3.0	4.0	5.0
2800V <sup>1)</sup>	(l/min)	28.9	40.8	50.0	57.7	64.5

<sup>1)</sup> Per outlet



**Available in colors**