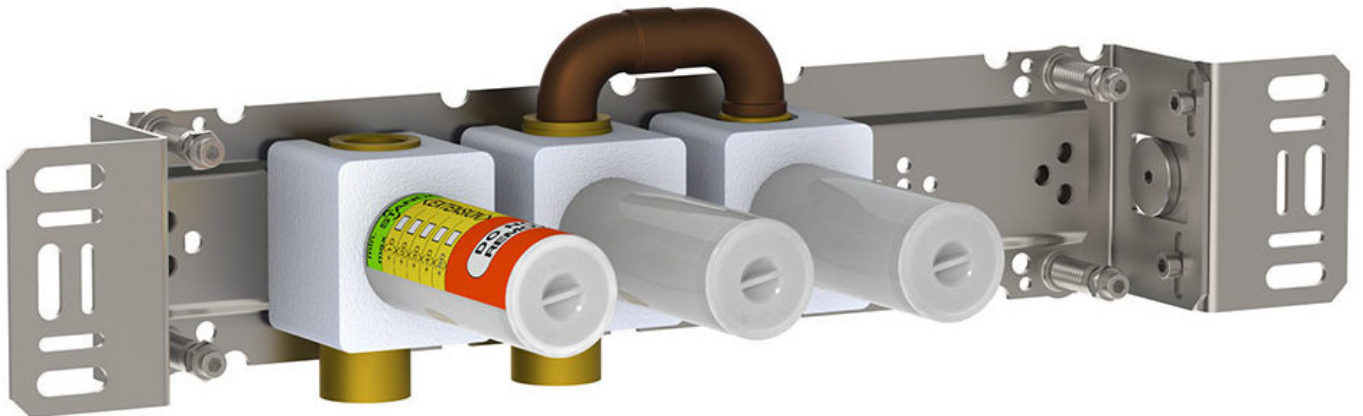
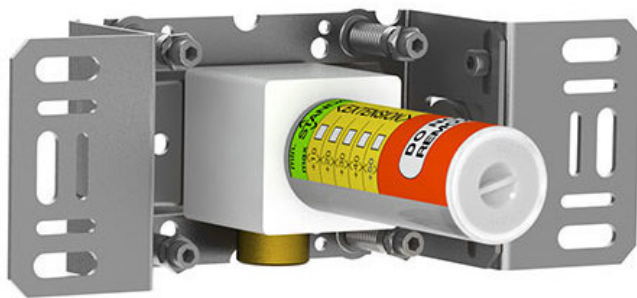


--

Date:
Client:
Project:



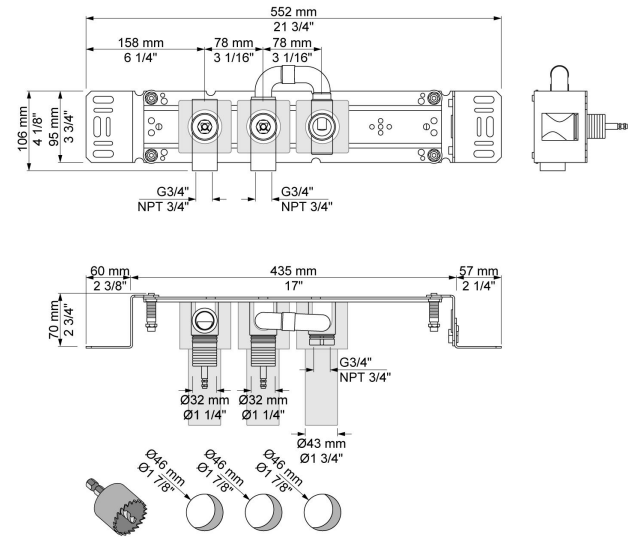
2800

Double valve with fixed outlet socket and one separate outlet socket, 200M.

Flow

	Bar:	1.0	2.0	3.0	4.0	5.0
2800 ¹⁾	(l/min)	28.9	40.8	50.0	57.7	64.5

¹⁾ Per outlet



Available in colors



200M

Separate outlet socket.
 1/2" connection to copper, steel, iron or pex pipe work.

