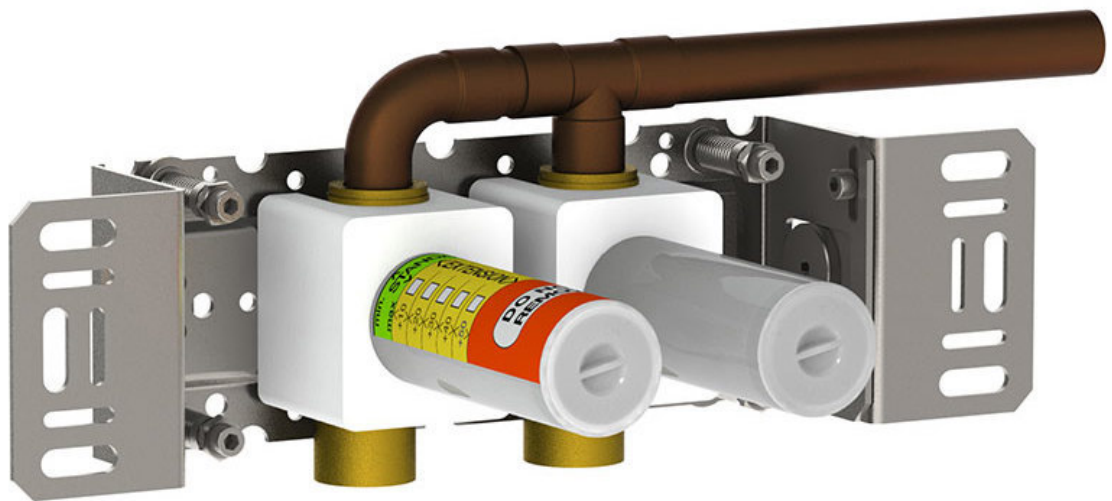


--

Date:
Client:
Project:

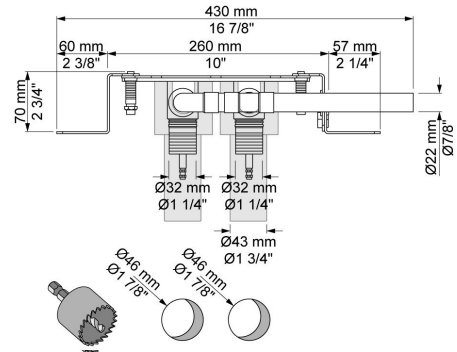
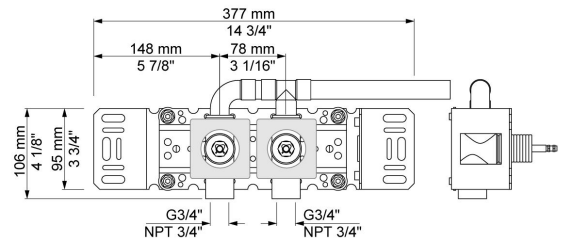


**2700V**

Two-handle build-in mixer for high flow. 3/4" connection to copper, steel or iron pipe work.

**Flow**

	<b>Bar:</b>	<b>1.0</b>	<b>2.0</b>	<b>3.0</b>	<b>4.0</b>	<b>5.0</b>
2700V	(l/min)	37.5	53.1	65.0	75.1	83.9



**Available in colors**