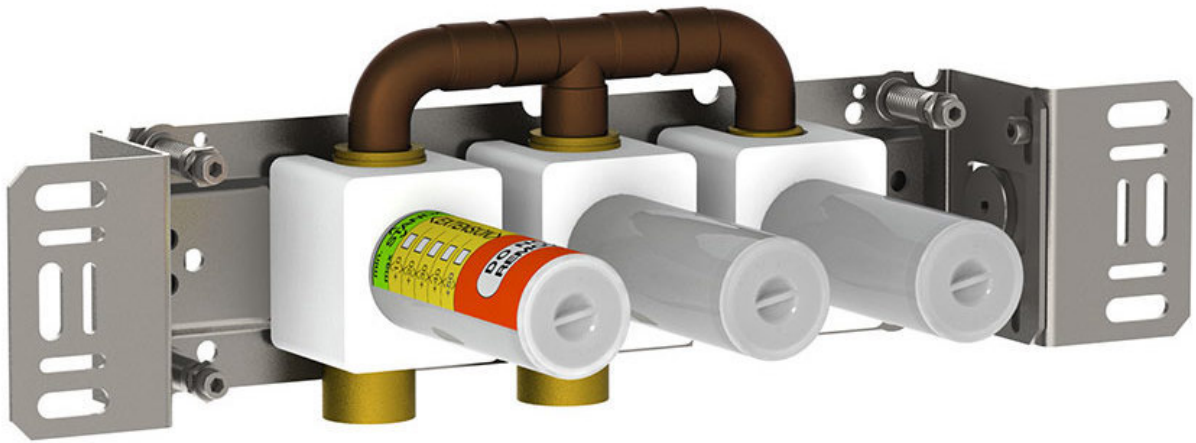


|  |
|--|
|  |
|--|

|          |
|----------|
| Date:    |
| Client:  |
| Project: |

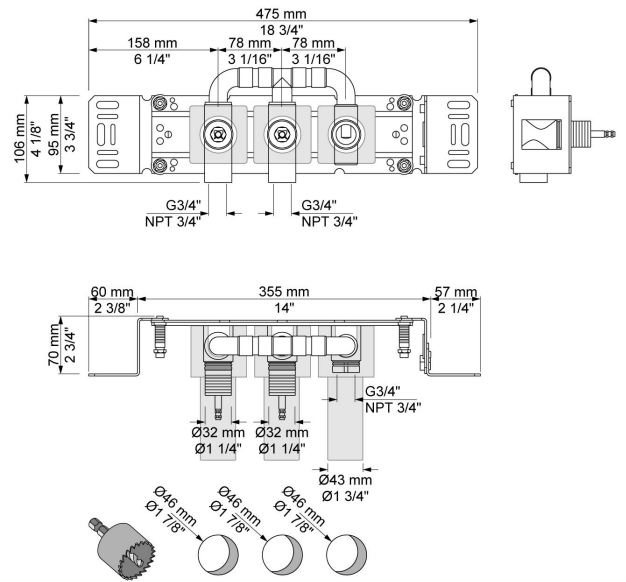


**2600**

Two-handle build-in mixer, for high flow, with fixed outlet socket. 3/4" connection to copper, steel or iron pipe work.

**Flow**

|      | <b>Bar:</b> | <b>1.0</b> | <b>2.0</b> | <b>3.0</b> | <b>4.0</b> | <b>5.0</b> |
|------|-------------|------------|------------|------------|------------|------------|
| 2600 | (l/min)     | 37.5       | 53.1       | 65.0       | 75.1       | 83.9       |



**Available in colors**