

| |
|--|
| |
|--|

| |
|----------|
| Date: |
| Client: |
| Project: |



2411C-071

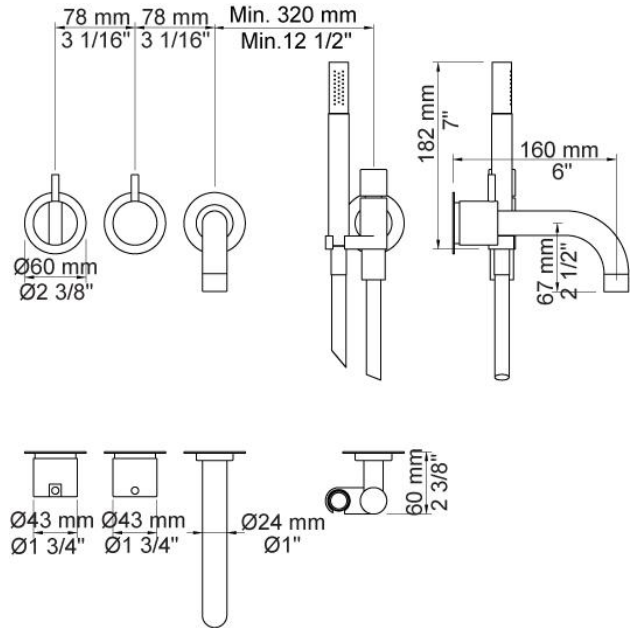
One-handle build-in mixer with ceramic disc technology and diverter.

2411C-071UP = Build-in mixer 2400T.

2411C-071AP = Handle NR21, handle NR24G, 160 mm fixed spout 010C, hand shower and hand shower holder with non-return valve 070, hose 1500 mm, 2 pcs. 60 mm circular flanges 001, 001G, 2001.

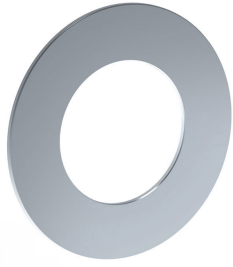
Flow

| | Bar: | 1.0 | 2.0 | 3.0 | 4.0 | 5.0 |
|------|---------|------|------|------|------|------|
| 010C | (l/min) | 10.4 | 14.7 | 18.0 | 20.8 | 23.2 |
| 070 | (l/min) | 5.2 | 7.3 | 9.0 | 9.0 | 9.0 |

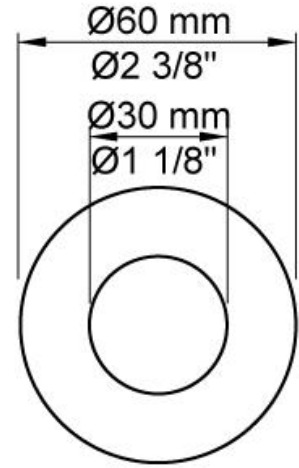


Available in colors

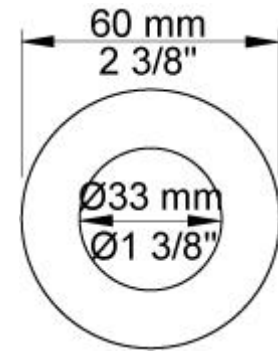
| | |
|---------------------------|-----------------------------------|
| | Color 20, Brushed chrome |
| Color 02, Grey | Color 21, Carmine red |
| Color 04, Light blue | Color 25, Pink |
| Color 05, Orange | Color 27, Matt black |
| Color 06, Light green | Color 28, Matt white |
| Color 08, Yellow | Color 40, Brushed stainless steel |
| Color 09, Dark grey | Color 60, Black |
| Color 12, Mocca | Color 61, Brushed black |
| Color 14, Bright red | Color 63, Copper |
| Color 15, Dark blue | Color 64, Brushed Copper |
| Color 16, Polished chrome | Color 65, Gold |
| Color 17, Gloss black | Color 68, Silver |
| Color 18, White | Color 70, Brushed Gold |
| Color 19, Natural brass | |



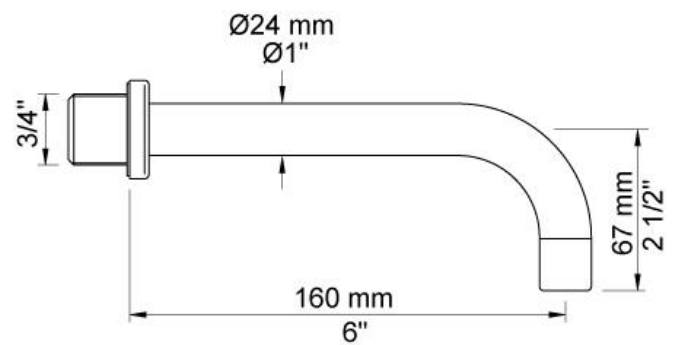
001
60 mm circular flange. Hole Ø30 mm.



001G
60 mm circular flange. Hole Ø33 mm.

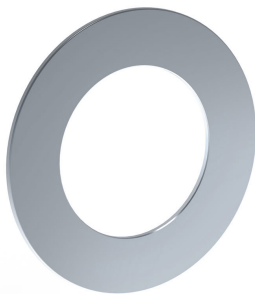
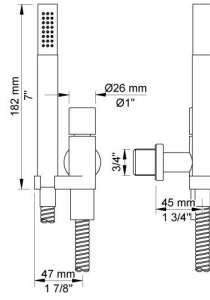


010C
160 mm fixed spout for high flow.

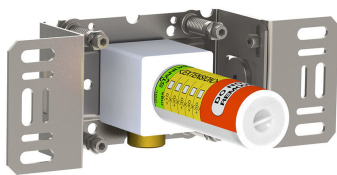
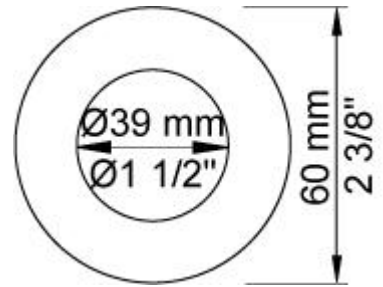




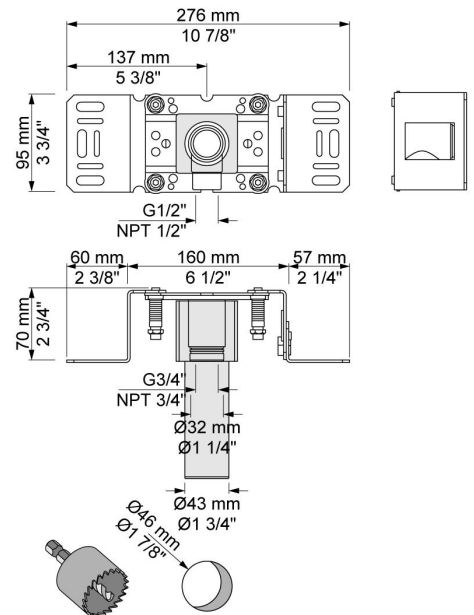
070
Hand shower, hand shower holder and hose with non-return valve.

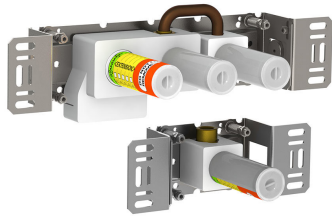


2001
60 mm circular flange. Hole Ø39 mm.



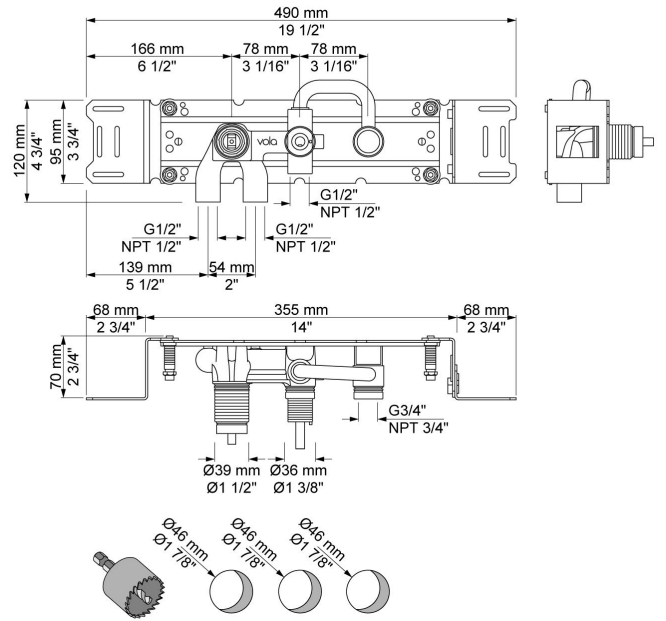
200M
Separate outlet socket.
½" connection to copper, steel, iron or pex pipe work.





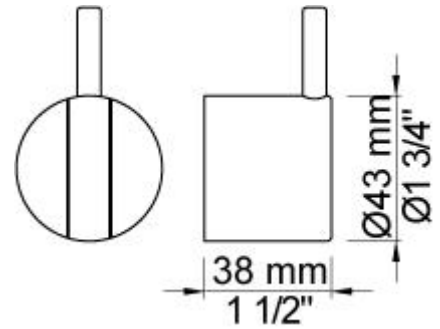
2400T

One-handle build-in mixer with diverter, for bath filling and hand shower, with one fixed outlet socket, and one separate outlet socket, 200M. 1/2" connection to copper, steel, iron or pex pipe work.



NR21

Operating handle for 2100, 2200, 2300, 2400 incl. variants. Ø43 mm.



NR24G

Diverter handle for 2400 incl. variants. Ø43 mm. With peg in the same colour as handle (Standard).

