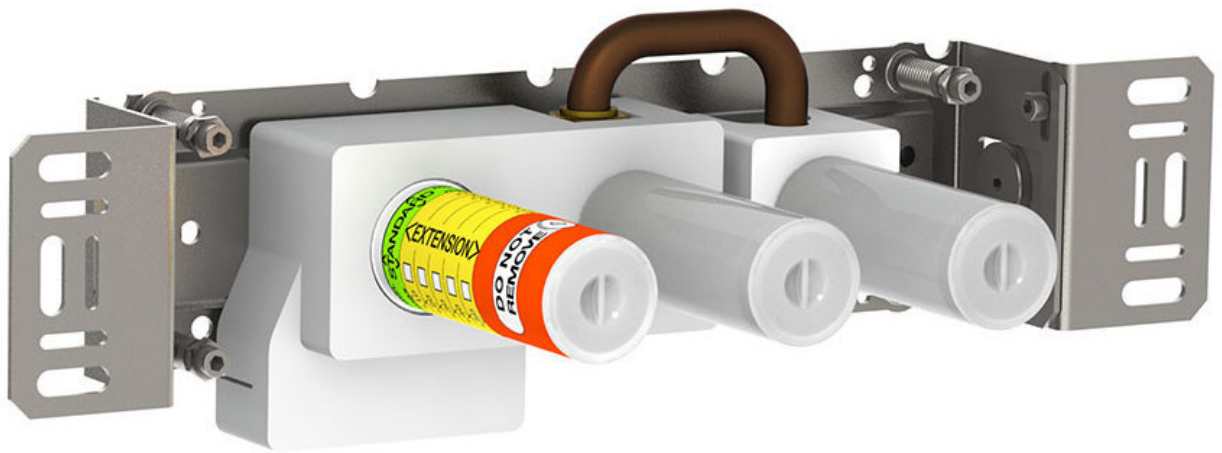


| |
|--|
| |
|--|

| |
|----------|
| Date: |
| Client: |
| Project: |

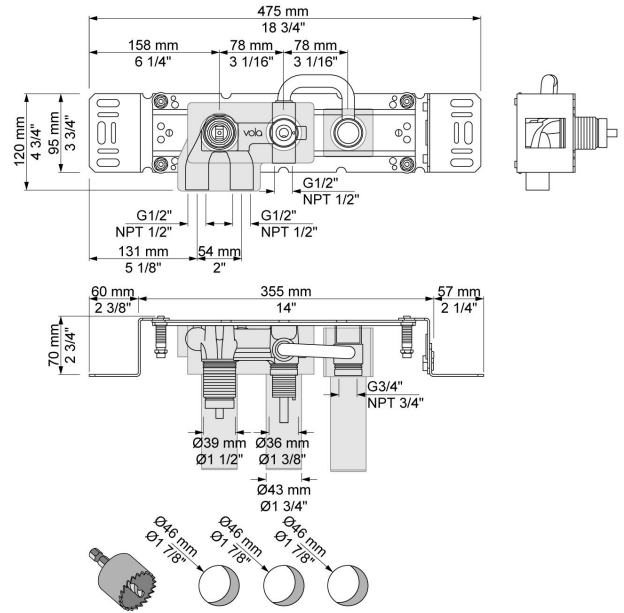


2400TV

One-handle build-in mixer with diverter, for bath filling and hand shower, with one fixed outlet socket. ½" connection to copper, steel, iron or pex pipe work.

Flow

| | Bar: | 1.0 | 2.0 | 3.0 | 4.0 | 5.0 |
|--------|-------------|------------|------------|------------|------------|------------|
| 2400TV | (l/min) | 12.7 | 18.0 | 22.0 | 25.4 | 28.4 |



Available in colors