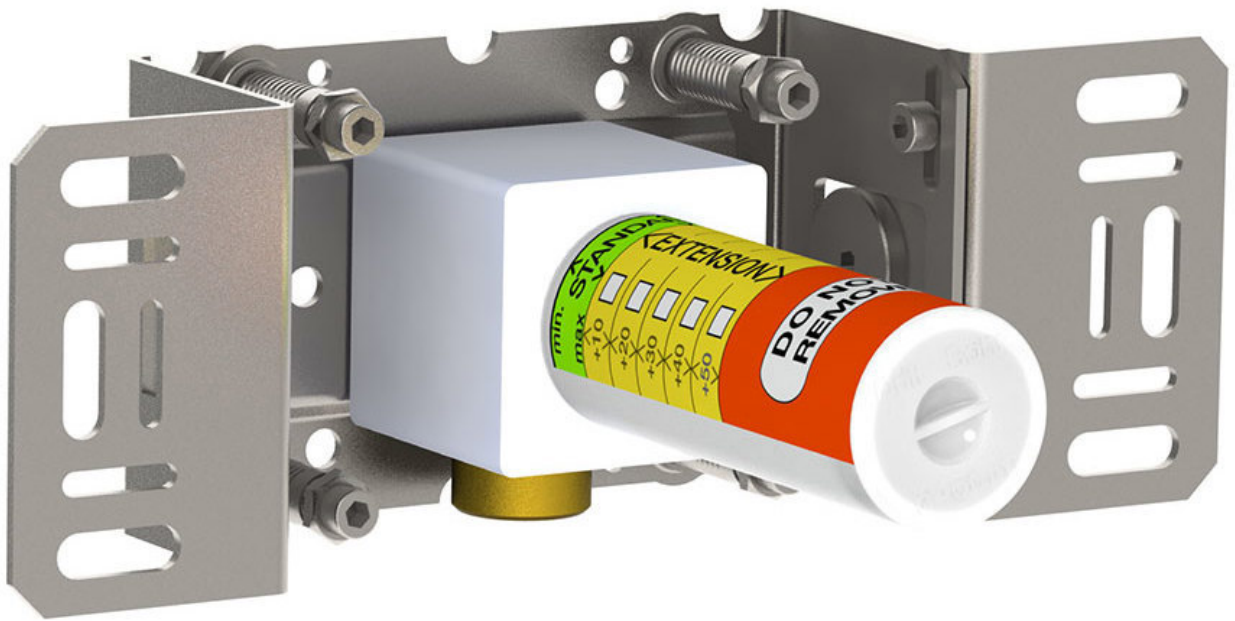


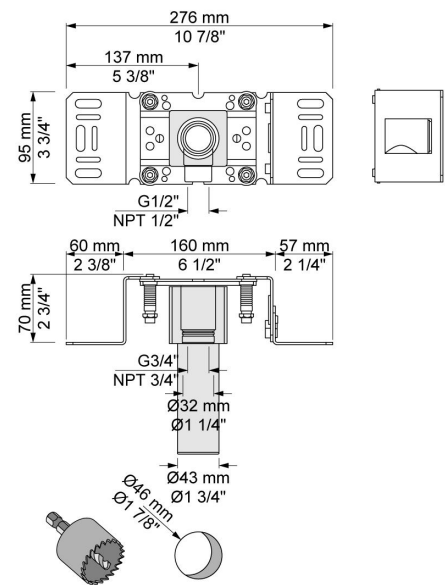
--

Date:
Client:
Project:



200M

Separate outlet socket.

 $\frac{1}{2}$ " connection to copper, steel, iron or pex pipe work.**Available in colors**