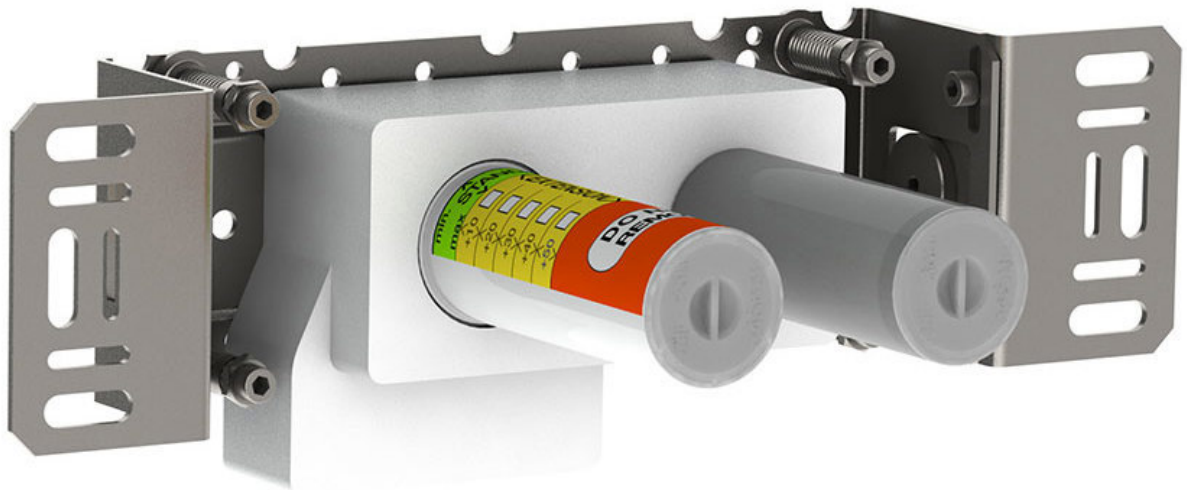


--

Date:
Client:
Project:

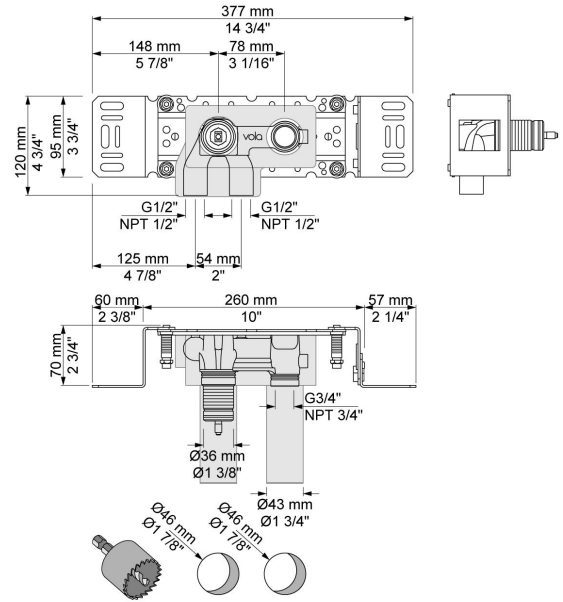


100

One-handle build-in mixer with fixed outlet socket. 1/2" connection to copper, steel, iron or pex pipe work.

Flow

	Bar:	1.0	2.0	3.0	4.0	5.0
100	(l/min)	10.4	14.7	18.0	20.8	23.2



Available in colors