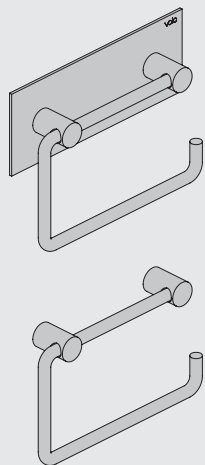


**VOLA T12, T12-BP,
VOLA T13, T13-BP,
VOLA T13L, T13L-BP,
VOLA T15, T15-BP**

Maintenance
Pfleheinweise
Vedligeholdelse



www.vola.com

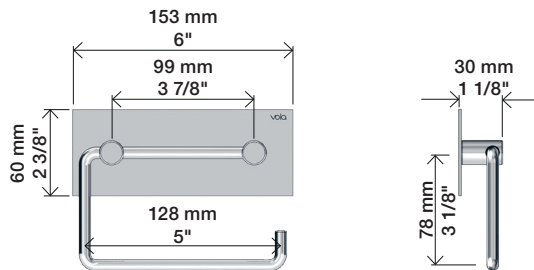
vola

mnt_T12_V3_40999560

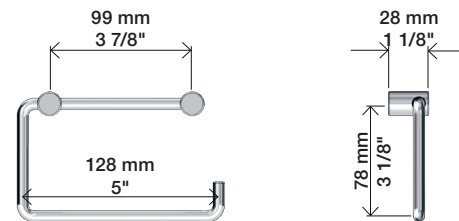


09-04-2024 5 703182 372747

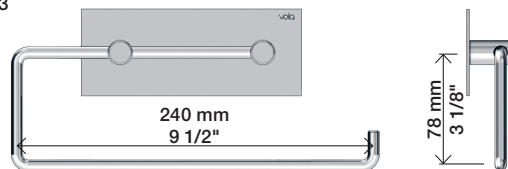
T12



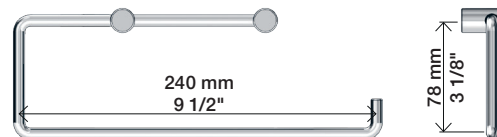
T12-BP



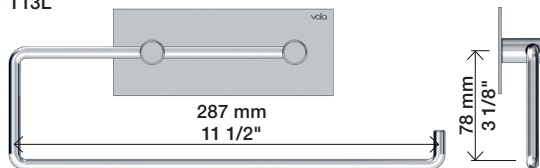
T13



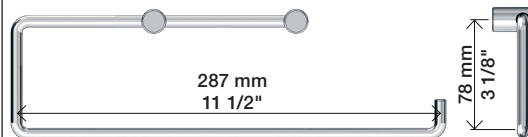
T13-BP



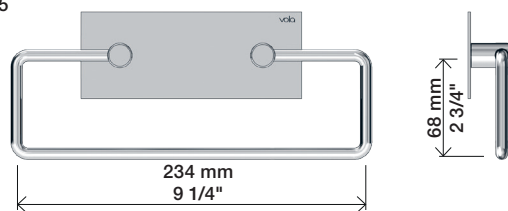
T13L



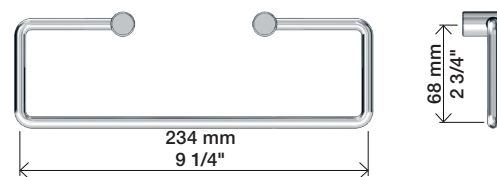
T13L-BP



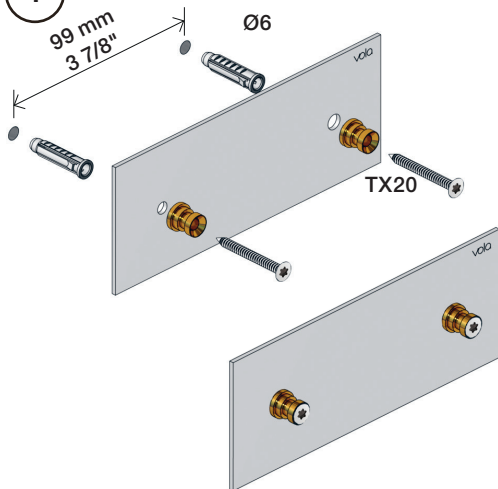
T15



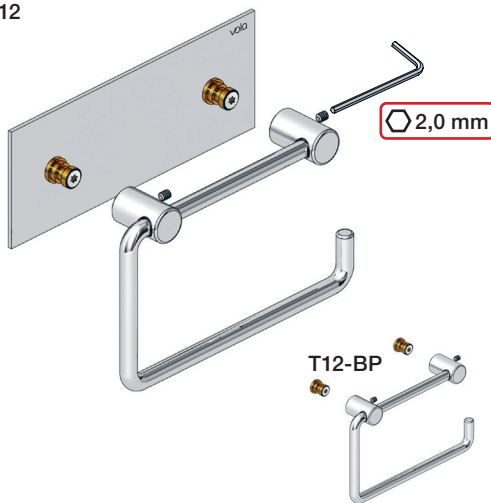
T15-BP



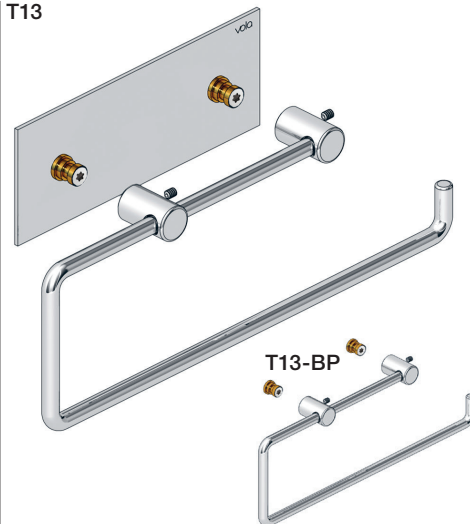
1



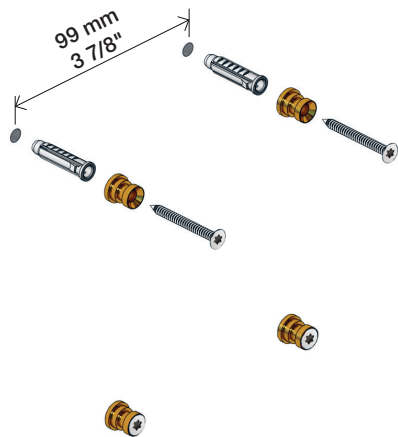
T12



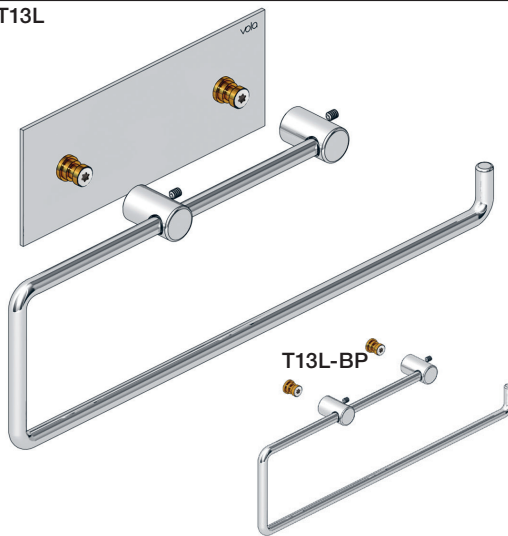
T13



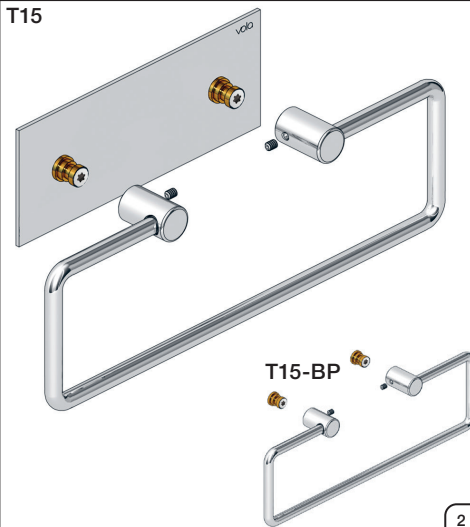
1BP



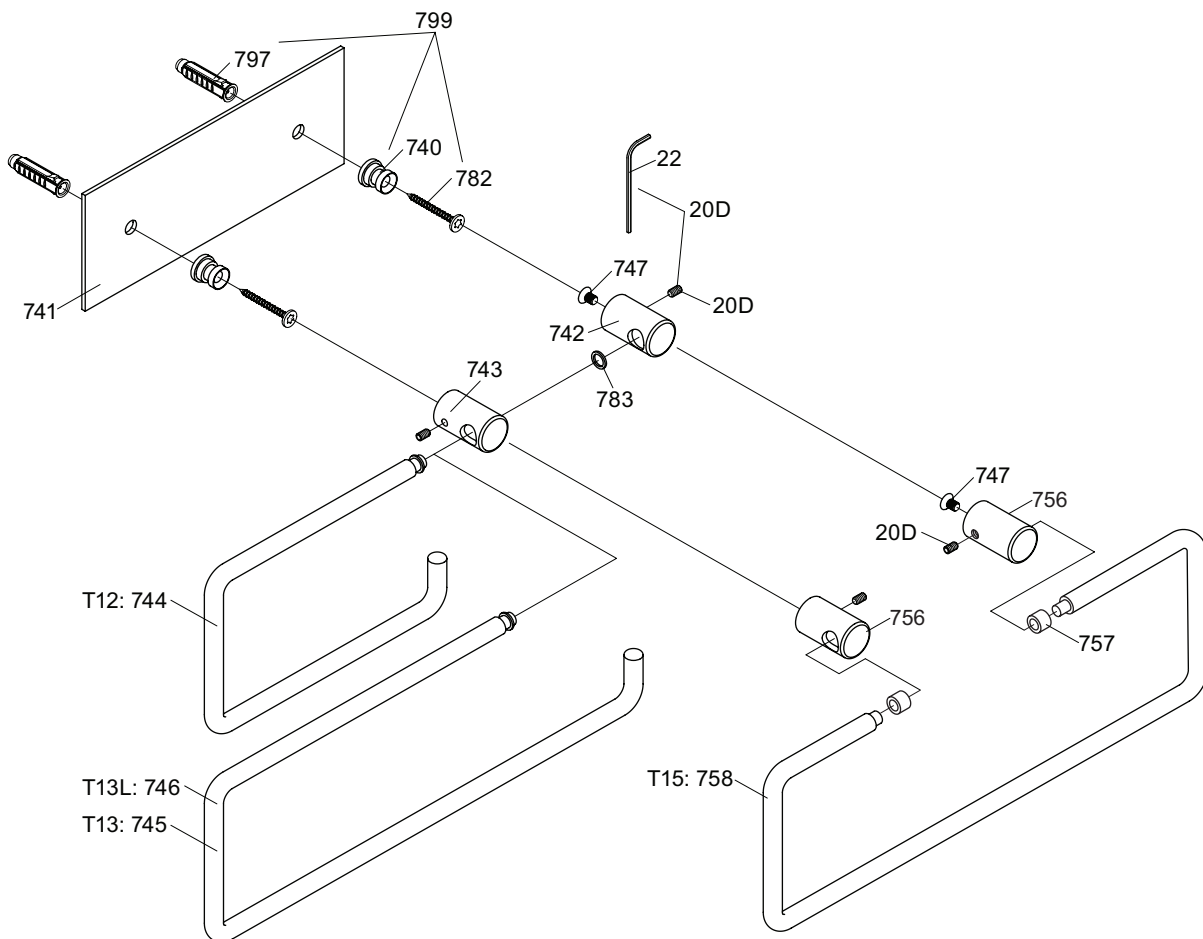
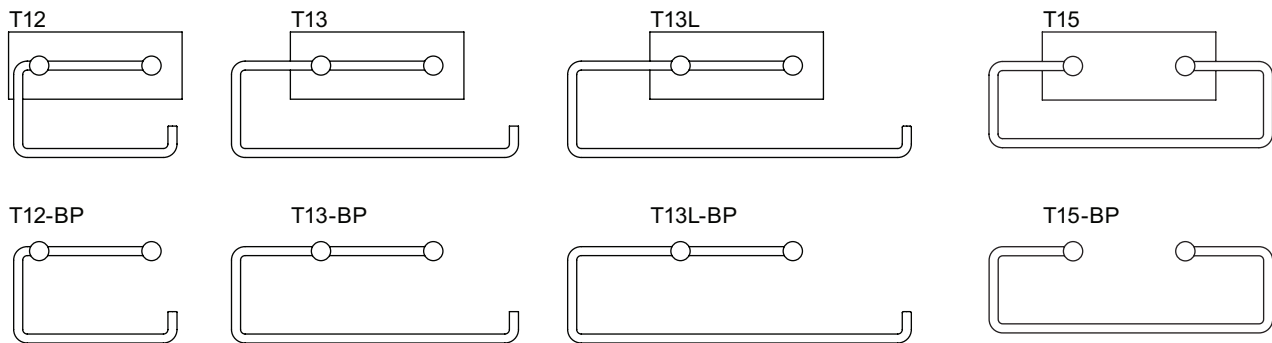
T13L



T15



2



VR20D: VR20D, VR22
 VR799: VR740, VR782, VR797



vola
 Lunavej 2
 DK-8700 Horsens
 Tlf : + 45 7023 5500
 sales@vola.com
 www.vola.com

VOLA T12, T13, T15

Date
 Aug. 24

Rev.
 2

Sheet
 SB 42.2