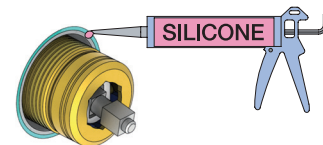


Do not cut the membrane  
 Die Membran nicht schneiden  
 Skær ikke membranen  
 \* Skär inte membranet  
 Snij het membraan niet door  
 Ne coupez pas la membrane  
 No cortar la membrana



\*Membran används inte i SVERIGE,  
 ihop med inbyggnadsboxen.

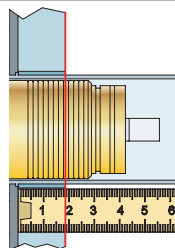
NR.21:



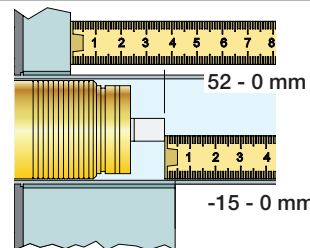
NR.28+19+24:



Förlängning  
 Verlängerung  
 Extension  
 Anpassing  
 Fortlængelse  
 Modification

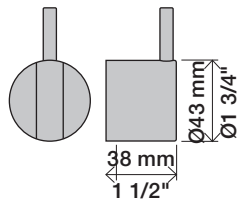


| VR2260/VR1400/VR2019 |            |      |
|----------------------|------------|------|
|                      | 3 - 15 mm  | Std. |
| Tiles:               | 15 - 25 mm | +10  |
| Fliesen:             | 25 - 35 mm | +20  |
| Fliser:              | 35 - 45 mm | +30  |
| Tegels:              | 45 - 55 mm | +40  |
| Carreaux:            | 55 - 65 mm | +50  |

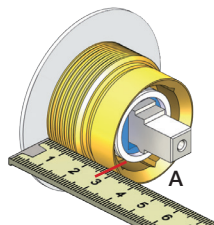


| VR2260/VR1400/VR2019 |             |      |
|----------------------|-------------|------|
|                      | 35 - 47 mm  | Std. |
|                      | 25 - 35 mm  | +10  |
|                      | 15 - 25 mm  | +20  |
|                      | 5 - 15 mm   | +30  |
|                      | -5 - 5 mm   | +40  |
|                      | -15 - -5 mm | +50  |

NR 21

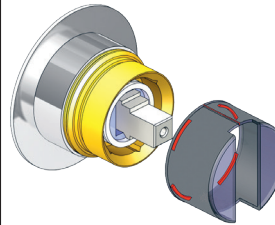


NR 21 - 1

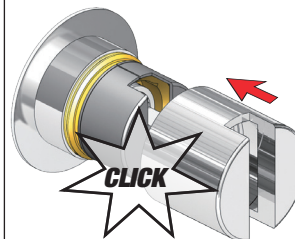


|         |       | A          |
|---------|-------|------------|
| VR2279  | 16 mm | 30 - 34 mm |
| VR2279B | 12 mm | 26 - 30 mm |
| VR2279C | 8 mm  | 22 - 26 mm |

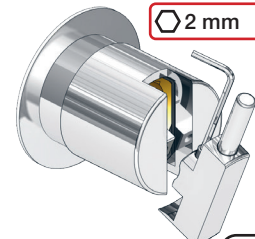
NR 21 - 2



NR 21 - 3



NR 21 - 4





| VR1260/VR1400/VR2019 |            |      |
|----------------------|------------|------|
| Tegels:<br>Carreaux: | 3 - 15 mm  | Std. |
|                      | 15 - 25 mm | +10  |
|                      | 25 - 35 mm | +20  |
|                      | 35 - 45 mm | +30  |
| Fliesen:<br>Fliser:  | 45 - 55 mm | +40  |
|                      | 55 - 65 mm | +50  |

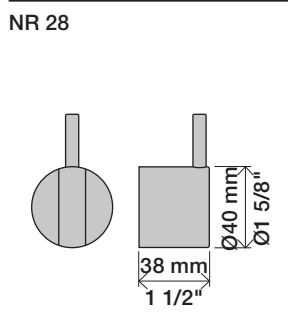


| VR1260/VR1400/VR2019 |      |  |
|----------------------|------|--|
| 40 - 52 mm           | Std. |  |
| 30 - 40 mm           | +10  |  |
| 20 - 30 mm           | +20  |  |
| 10 - 20 mm           | +30  |  |
| 0 - 10 mm            | +40  |  |
| -10 - 0 mm           | +50  |  |

NR 19/NR24

NR 19:  
 Ø40 mm  
 Ø1 5/8"

NR 24:  
 Ø43 mm  
 Ø1 3/4"



NR 28 - 1

VR3279 VR3279B VR3279C

|         | A     |            |
|---------|-------|------------|
| VR3279  | 16 mm | 31 - 36 mm |
| VR3279B | 12 mm | 27 - 32 mm |
| VR3279C | 8 mm  | 23 - 28 mm |

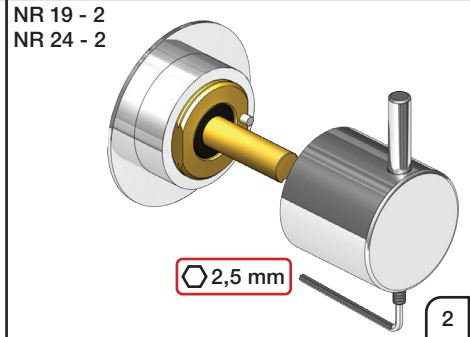
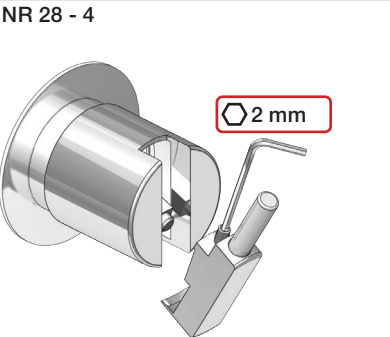
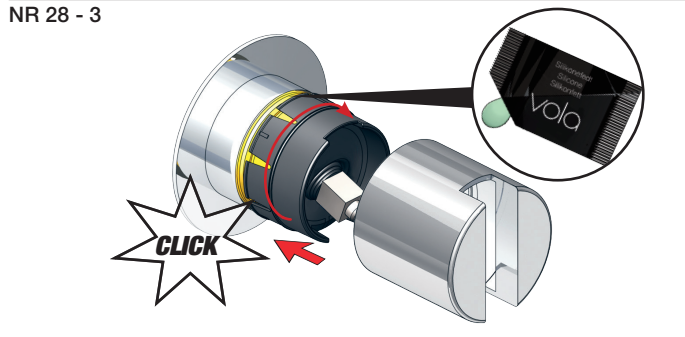


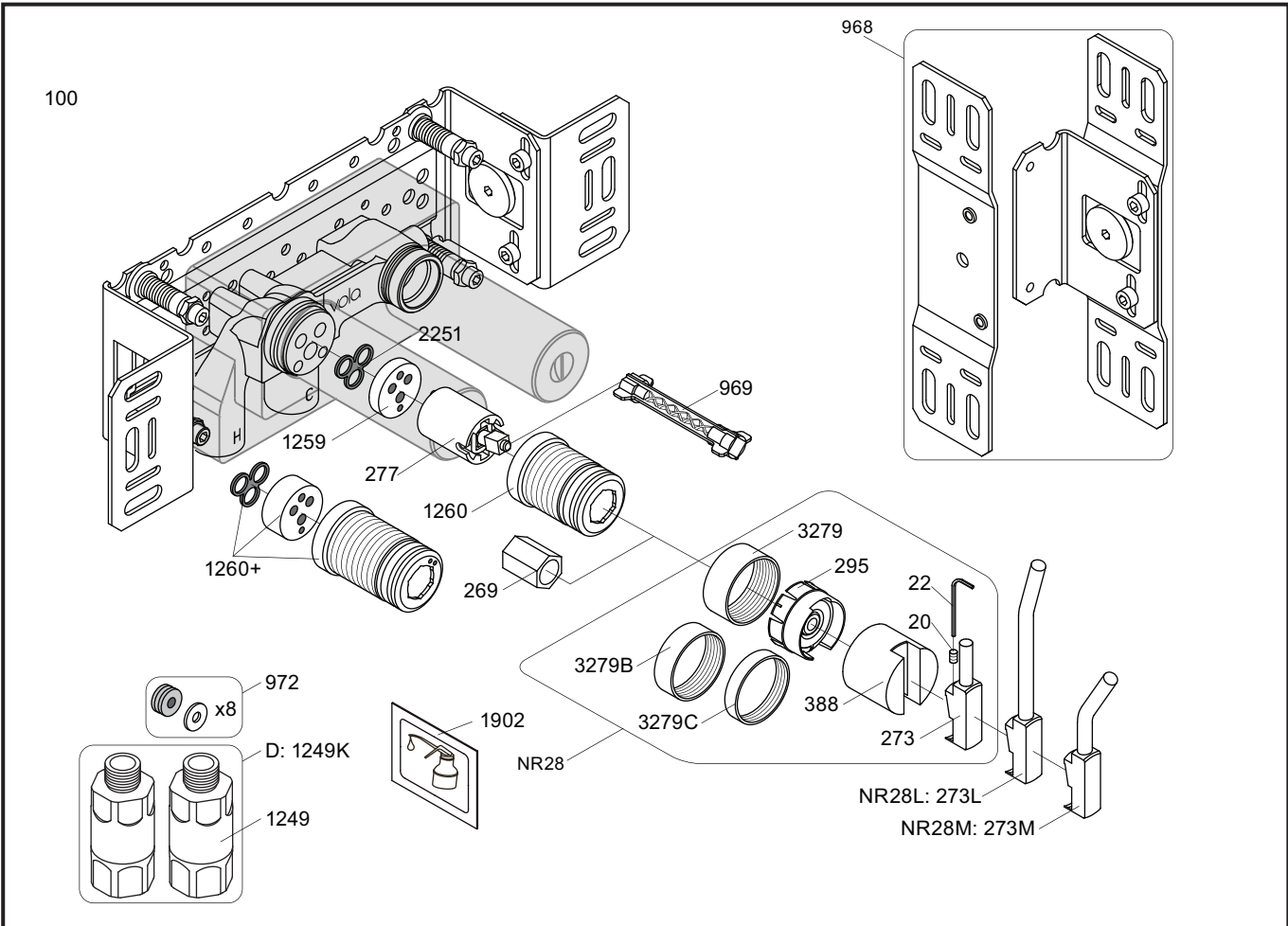
NR 19 - 1  
NR 24 - 1

VR2204 VR2204B VR2204C

NR 19 - VR665

|         | A     |            |
|---------|-------|------------|
| VR665   | 16 mm | ALL        |
| VR2204  | 16 mm | 16 - 21 mm |
| VR2204B | 12 mm | 11 - 17 mm |
| VR2204C | 8 mm  | 7 - 13 mm  |





NR28: VR20, VR22, VR269, VR273, VR295, VR388, VR3279, VR3279B, VR3279C  
 VR277K: VR22, VR269, VR277  
 VR1260: VR1259, VR1260, VR2251

|                        |                         |                         |                        |
|------------------------|-------------------------|-------------------------|------------------------|
| <p>100</p> <p>2927</p> | <p>100X</p> <p>2927</p> | <p>200V</p> <p>2928</p> | <p>300</p> <p>2927</p> |
| <p>3002</p>            | <p>3003K</p>            | <p>3003</p>             | <p>3002</p>            |
| <p>3001, 001</p>       | <p>3001, 001</p>        | <p>3001</p>             | <p>3001, 001</p>       |



**vola**  
 Lunavej 2  
 DK-8700 Horsens  
 Tlf : + 45 7023 5500  
 sales@vola.com  
 www.vola.com

**VOLA 100**  
 100X, 200V, 300

Date  
 May. 22

Rev.  
 7

Sheet  
 SB 1.2