

VOLA 100, 100X, 200, 200V, 300  
 VOLA 400DV, 400, 400V, 400N, 400NV, 400T  
 VOLA 400TV, 400F, 400FV, 400R, 400RV  
 VOLA 2100, 2100X, 2200, 2200V, 2300, 2400  
 VOLA 2400V, 2400N, 2400NV, 2400T, 2400TV  
 VOLA 2400F, 2400FV, 2400R, 2400RV



Fitting instruction    Monteringsvægledning  
 Montageanleitung    Montage hanledning  
 Monteringsvejledning    Manuel de montage



04/00029  
 04/00031  
 04/00055



www.vola.com

100-2100\_V3\_40998502  
 11-07-2024

vola



5 705230 286211

|                                                                    | L                 | L1            | L2                | H               | H1               | D               |
|--------------------------------------------------------------------|-------------------|---------------|-------------------|-----------------|------------------|-----------------|
| 100, 100X, 200V, 300, 400V, 400DV, 2100, 2100X, 2200V, 2300, 2400V | 377 mm<br>14 3/4" | 260 mm<br>10" | 268 mm<br>10 1/2" | 95 mm<br>3 3/4" | 186 mm<br>7 3/8" | 70 mm<br>2 3/4" |
| 400NV, 400TV, 2400NV, 2400TV                                       | 475 mm<br>18 3/4" | 355 mm<br>14" | 367 mm<br>14 1/2" |                 |                  |                 |
| 400FV, 400RV, 2400FV, 2400RV                                       | 552 mm<br>21 3/4" | 435 mm<br>17" | 447 mm<br>17 5/8" |                 |                  |                 |



VR968: To be ordered separately.  
 Werden separat bestellt.  
 Bestilles separat.  
 Beställs separat.  
 Apart te bestellen.  
 À commander séparément.

**A** Data, 3 Bar/43.5 Psi:

|        | l/min. | Gal/min. | Max. 65°C, 150°F     |
|--------|--------|----------|----------------------|
| 100:   | 18,3   | 4.8      | Max.: 10 Bar/145 psi |
| 400V:  | 15,6   | 4.1      |                      |
| 2100:  | 25,2   | 6.7      |                      |
| 2400V: | 22,2   | 5.9      |                      |

**B** Check the local legislation.  
 Bitte die örtlichen Vorschriften überprüfen.  
 Tjek de lokale regler.  
 Kontrollera den lokala lagstiftning.  
 Verifieer de lokale regelgeving.  
 Vérifiez la législation locale.



**C** DE: Bitte separat beiliegende Anleitung für die Schalldämpfer VR1249 beachten

DE: Bitte separat beiliegende Anleitung für die Schallentkopplung VR972 beachten



| T          | Y           | VR1260/2260/1400/1020K |
|------------|-------------|------------------------|
| 3 - 15 mm  | 110 - 98 mm | Std.                   |
| 15 - 25 mm | 98 - 88 mm  | +10                    |
| 25 - 35 mm | 88 - 78 mm  | +20                    |
| 35 - 45 mm | 78 - 68 mm  | +30                    |
| 45 - 55 mm | 68 - 58 mm  | +40                    |
| 55 - 65 mm | 58 - 48 mm  | +50                    |

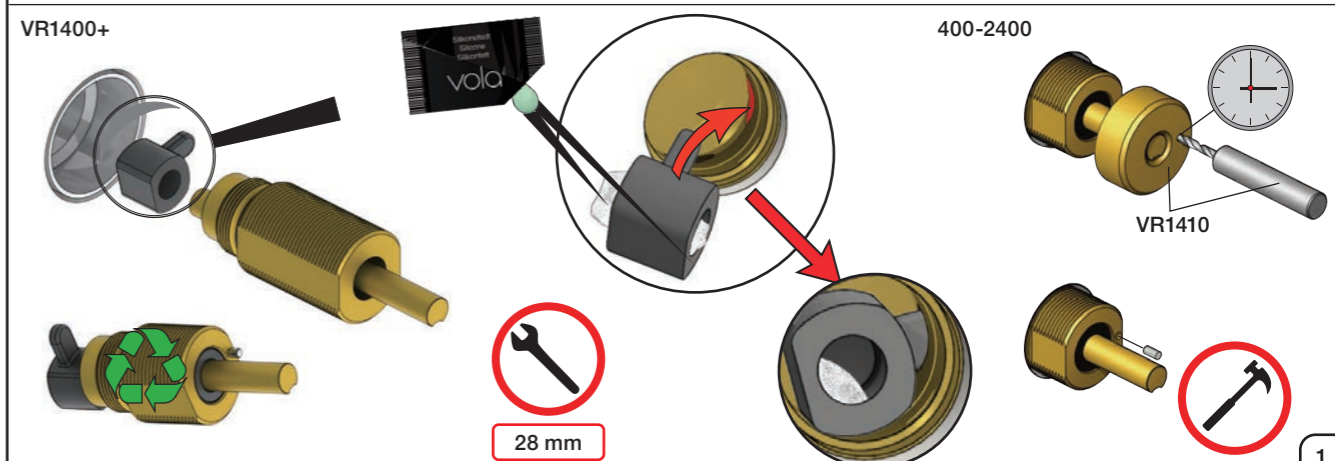
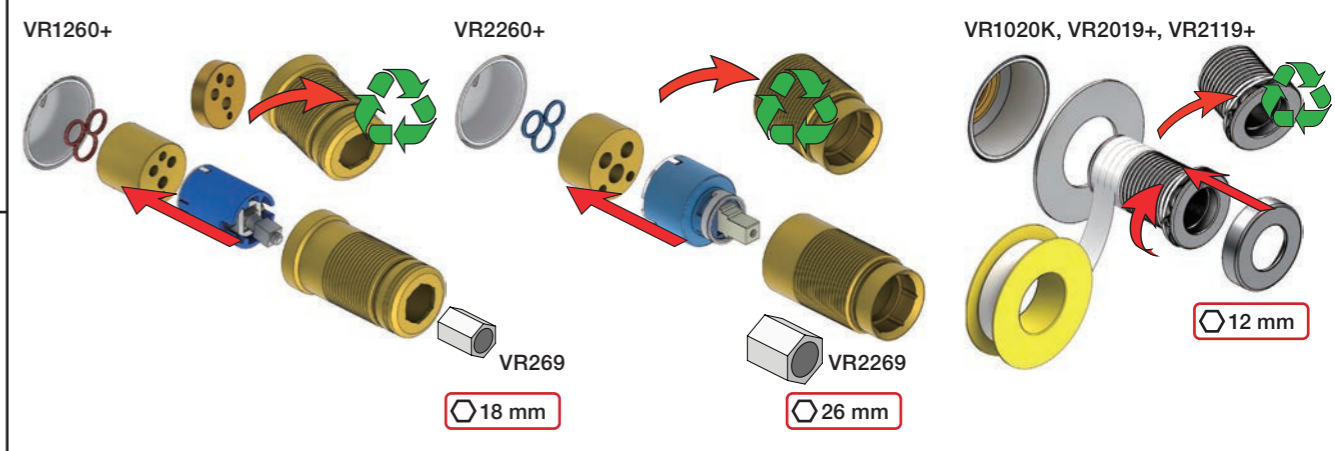


| X          | VR1260 + VR1400 + VR1020K |
|------------|---------------------------|
| 40 - 52 mm | Std.                      |
| 30 - 40 mm | +10                       |
| 20 - 30 mm | +20                       |
| 10 - 20 mm | +30                       |
| 0 - 10 mm  | +40                       |
| -10 - 0 mm | +50                       |

| X           | VR2260 + VR1400 + VR1020K |
|-------------|---------------------------|
| 35 - 47 mm  | Std.                      |
| 25 - 35 mm  | +10                       |
| 15 - 25 mm  | +20                       |
| 5 - 15 mm   | +30                       |
| -5 - 5 mm   | +40                       |
| -15 - -5 mm | +50                       |

Fitting of extension    Montering av förlängning  
 Montage von verlängerung    Montage van de verlengstukken  
 Montering af forlængerdele    Montage des rallonges





**2x13 mm** Lightweight wall  
 Leichtwand  
 Let væg

Lätta konstruktion  
 Holle wandconstructie  
 Construction légère



**1x15 mm**  
**1x18 mm**  
**1x20 mm**

**2x13 mm**

Lightweight wall  
 Leichtwand  
 Let væg

Lätta konstruktion  
 Holle wandconstructie  
 Construction légère



Masonry  
 Mauerwerk  
 Murværk

Murverk  
 Massieve wand  
 Mur Plein



2

Test Pressure  
 Prüfdruck  
 testtryk  
 Test tryk  
 Test druk

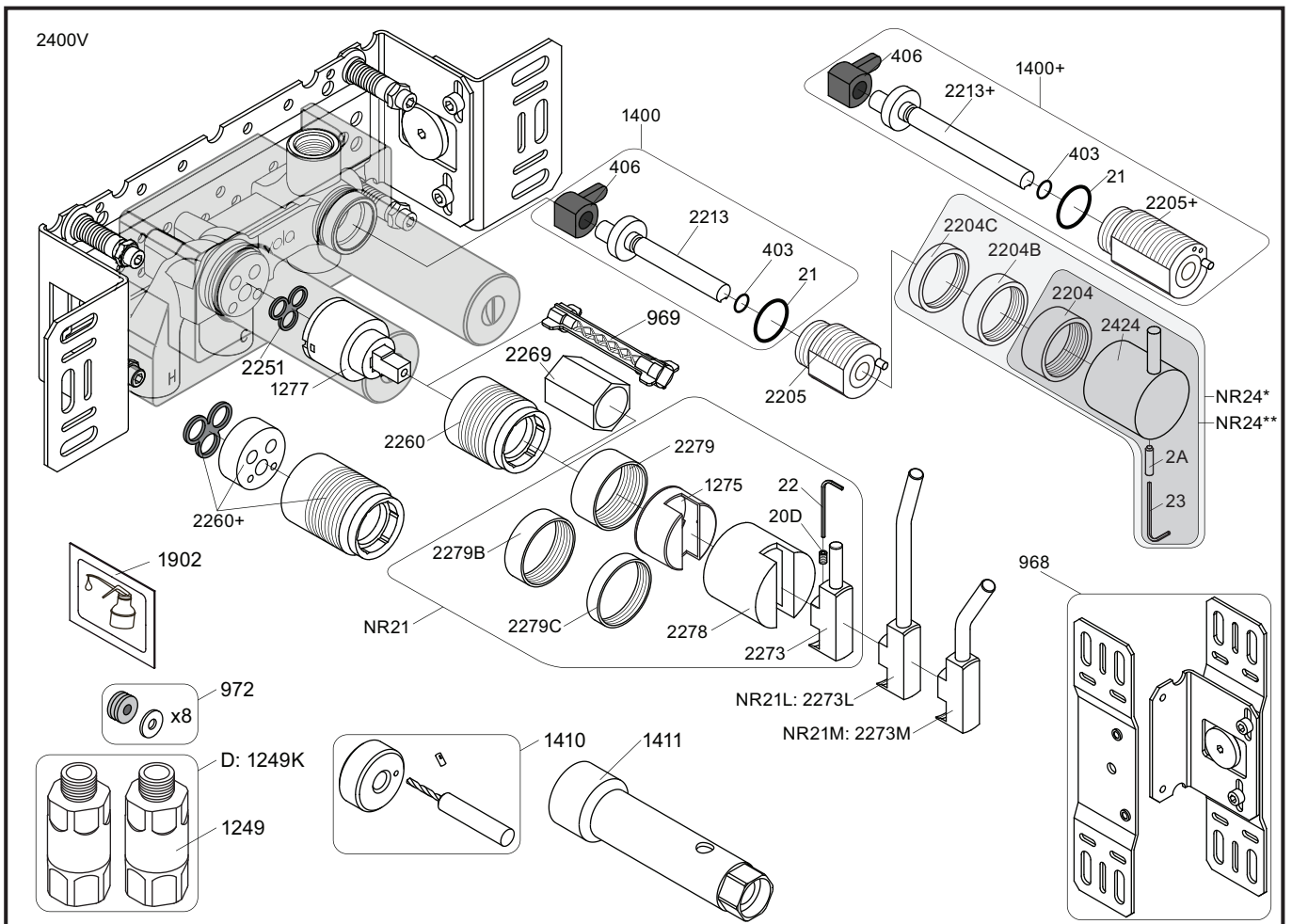
Check the local legislation.  
 Bitte die örtlichen Vorschriften überprüfen.  
 Tjek de lokale regler.  
 Kontrollera den lokala lagstiftning.  
 Verifieer de lokale regelgeving.  
 Vérifiez la législation locale.

1. MAX. 16 Bar  
232 Psi

2. MAX. 4 Bar  
58 Psi

**! Water - Wasser - Vand - Vatten - Water - L'eau**  
**! MAX 1 Minute - Minut - Minuut !**





- NR21: VR20D, VR22, VR1275, VR2269, VR2273, VR2278, VR2279, VR2279B, VR2279C  
 NR24\*: VR2A, VR22, VR1419, VR2204, VR2204B, VR2204C - (Brass, Messing, Laiton)  
 NR24\*\*: VR2A, VR22, VR1419, VR2204 - (Stainless steel, Edeltstahl, Rustfritt stål, Acier inoxydable)  
 VR1277K: VR22, VR2269, VR1277  
 VR1400: VR21, VR23, VR406, VR1902, VR2213

|                          |                           |                                |             |
|--------------------------|---------------------------|--------------------------------|-------------|
| <p>2400V</p> <p>2927</p> | <p>2400NV</p> <p>2926</p> | <p>2400FV</p> <p>2927 2928</p> |             |
| <p>1040</p>              | <p>2003K</p>              | <p>2004</p>                    | <p>2003</p> |
| <p>2001, 001G</p>        | <p>2001, 001G, 001</p>    | <p>2001, 001G, 001</p>         |             |



**vola**  
 Lunavej 2  
 DK-8700 Horsens  
 Tlf : + 45 7023 5500  
 sales@vola.com  
 www.vola.com

**VOLA 2400**  
 2400V/FV/NV/RV/TV

Date  
 May. 22

Rev.  
 5

Sheet  
 SB 10.10