

VOLA 010, 020, 030, 040
VOLA 010C, 020C, 040D

Fitting instruction
 Montageanleitung
 Monteringsvejledning
 Monteringsvægledning
 Montage hanleiding
 Manuel de montage



04/00026
 04/00101
 04/00175
 04/00298



www.vola.com
 mnt_010_V1_40998360
 23-05-2023



| Standard Flow data: | | Max. |
|---------------------|-----------|--------------------------|
| 010/020 | (l/min) | 5.0 |
| | (Gal/min) | 1.3 |
| 010C/020C | (l/min) | 30 |
| | (Gal/min) | 7.9 |
| 030 | (l/min) | 9.0 |
| | (Gal/min) | 2.0 |
| 040 | (l/min) | 25 |
| | (Gal/min) | 6.6 |
| 040D | (l/min) | 30 |
| | (Gal/min) | 7.9 |
| | | Max. 65°C. Max. 150°F |



VR161:
 VR161K: 7 l/min - 1.8 Gal/min
 VR161D: 9 l/min - 2.5 Gal/min
 VR161F: 14 l/min - 3.7 Gal/min



For more water saving possibilities please see:
 Weitere Wassersparmöglichkeiten finden Sie auf:
 For flere vandbesparende muligheder se venligst:
 För mer vattenbesparande möjligheter hänvisas till:
 Voor meer waterbesparende mogelijkheden zie:
 Pour plus d'informations sur les options : économie d'eau, voir le site:

www.vola.com



010, 020



010C, 020C



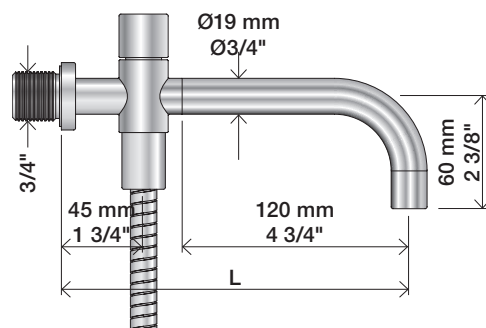
| | L (mm) | L (Inch) |
|------------|--------|----------|
| 010(C)/100 | 100 | 4" |
| 010(C)/130 | 130 | 5" |
| 010(C)/160 | 160 | 6" |
| 020(C)/200 | 200 | 7 3/4" |
| 020(C)/225 | 225 | 8 3/4" |
| 020(C)/260 | 260 | 10 1/4" |
| 020(C)/300 | 300 | 11 3/4" |

030



| | L (mm) | L (Inch) |
|---------|--------|----------|
| 030/200 | 200 | 7 3/4" |
| 030/250 | 250 | 9 3/4" |
| 030/300 | 300 | 11 3/4" |
| 030/350 | 350 | 13 3/4" |

040



040D



| | L (mm) | L (Inch) |
|----------|--------|----------|
| 040 | 185 | 7 3/4" |
| 040D | 200 | 7 3/4" |
| 040D/250 | 250 | 9 3/4" |
| 040D/300 | 300 | 11 3/4" |

1

010, 010C, 020, 020C, 030, 040, 040D



12 mm

2



3

Ø19: 010, 020, 030, 040



2.0 mm

Ø24: 010C, 020C, 040D



2.0 mm

1/2"

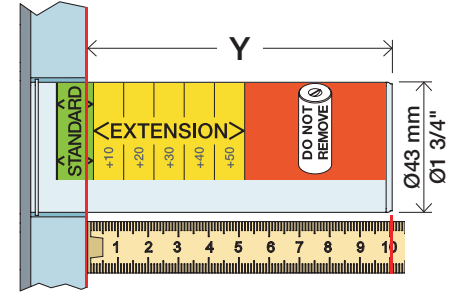
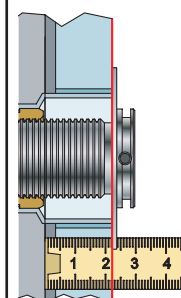
Extension
Verlängerung

Forlængerdele
Förlängning

Verlengstukken
Modification

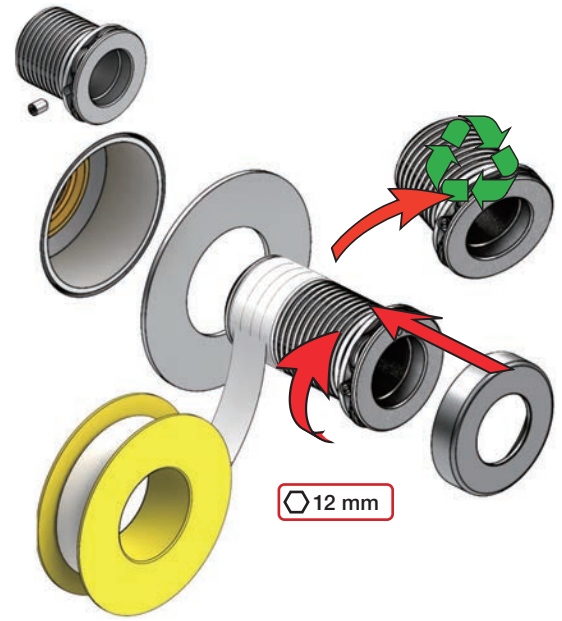
T Min. 3 mm
Max. 65 mm

Y Min. 48 mm
Max. 110 mm

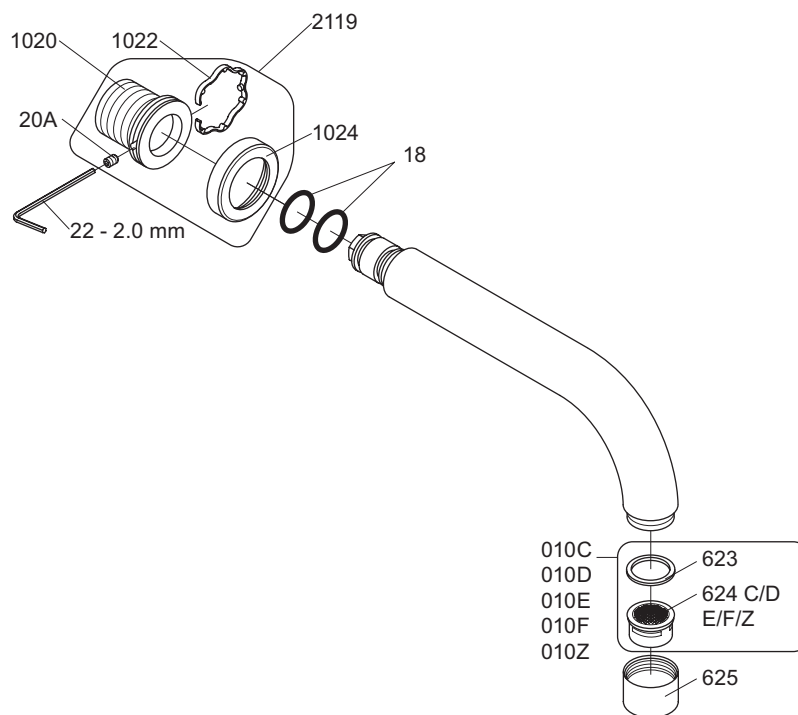


| T | Y | VR1020K | VR2019 (Ø19) VR2119 (Ø24) |
|------------|-------------|---------|------------------------------|
| 3 - 15 mm | 110 - 98 mm | | Std. |
| 15 - 25 mm | 98 - 88 mm | | +10 |
| 25 - 35 mm | 88 - 78 mm | | +20 |
| 35 - 45 mm | 78 - 68 mm | | +30 |
| 45 - 55 mm | 68 - 58 mm | | +40 |
| 55 - 65 mm | 58 - 48 mm | | +50 |

VR1020K+ / VR2019+ / VR2219+



12 mm



VR010C: VR623, VR624C
 VR010D: VR623, VR624D
 VR010E: VR623, VR624E
 VR010F: VR623, VR624F
 VR010Z: VR623, VR624Z
 VR1020K: VR20A, VR22, VR1020, VR1022
 VR2119: VR20A, VR22, VR1020, VR1022, VR1024



volapart

Lunavej 2
 DK-8700 Horsens
 Tlf : + 45 7023 5500
 sales@volapart.com
 www.volapart.com

VOLA 010C/020C

Date
Apr. 21

Rev.
2

Sheet
SB 11.1