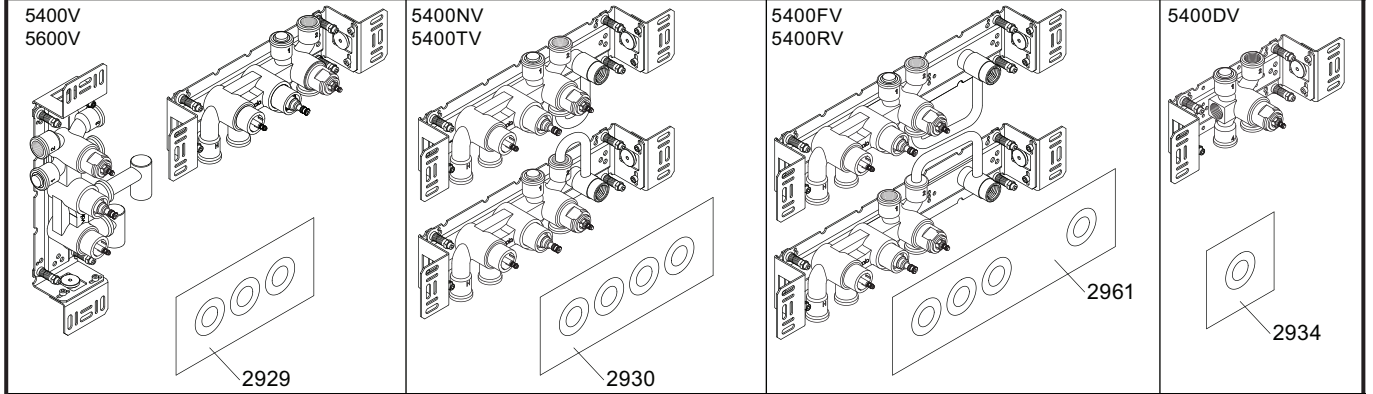


				<p>2A* Color</p> <p>VR2A-Steel: Standard VR2A-F60: F17-F27-F60 VR2A-F63: F63-F64 VR2A-F65: F19-F65-F70</p>
--	--	--	--	--

NR51: NR52: NR64: VR3113: VR5250+: VR5250AUS+: VR5257+: VR5258+: VR5268+: VR5410+: 	VR5251, VR2279+B+C, VR2A VR2A, VR5252, VR5253, VR5255, VR5256, VR2279+B+C, VR3113, VR2A VR5251, VR2279+B+C, VR2A VR3109, VR3110, VR5255 VR5248+, VR5249+, VR5257, VR5258, VR5259, VR5260 VR5248+, VR5249+, VR5257, VR5258, VR5259, VR5260, VR5275 VR5257+, VR5259+ VR5258+, VR5260+ 2xVR2C, VR1902, VR5268, VR5271+ 2xVR2C, VR5270+, VR5271+
---	---



<p>5003B</p> <p>3x2001</p>	<p>5004B</p> <p>3x2001, 001</p>	<p>5004L</p> <p>3x2001, 001</p>	<p>5001</p> <p>2001</p>
----------------------------	---------------------------------	---------------------------------	-------------------------

<p>vola Lunavej 2 DK-8700 Horsens Tlf : + 45 7023 5500 sales@vola.com www.vola.com</p>	<p>VOLA 5400V 5400FV, 5400NV 5400RV, 5400TV 5600V</p>	<p>Date May 22</p>
		<p>Rev. 6</p>
		<p>Sheet SB 10.54</p>